

BF210

Device

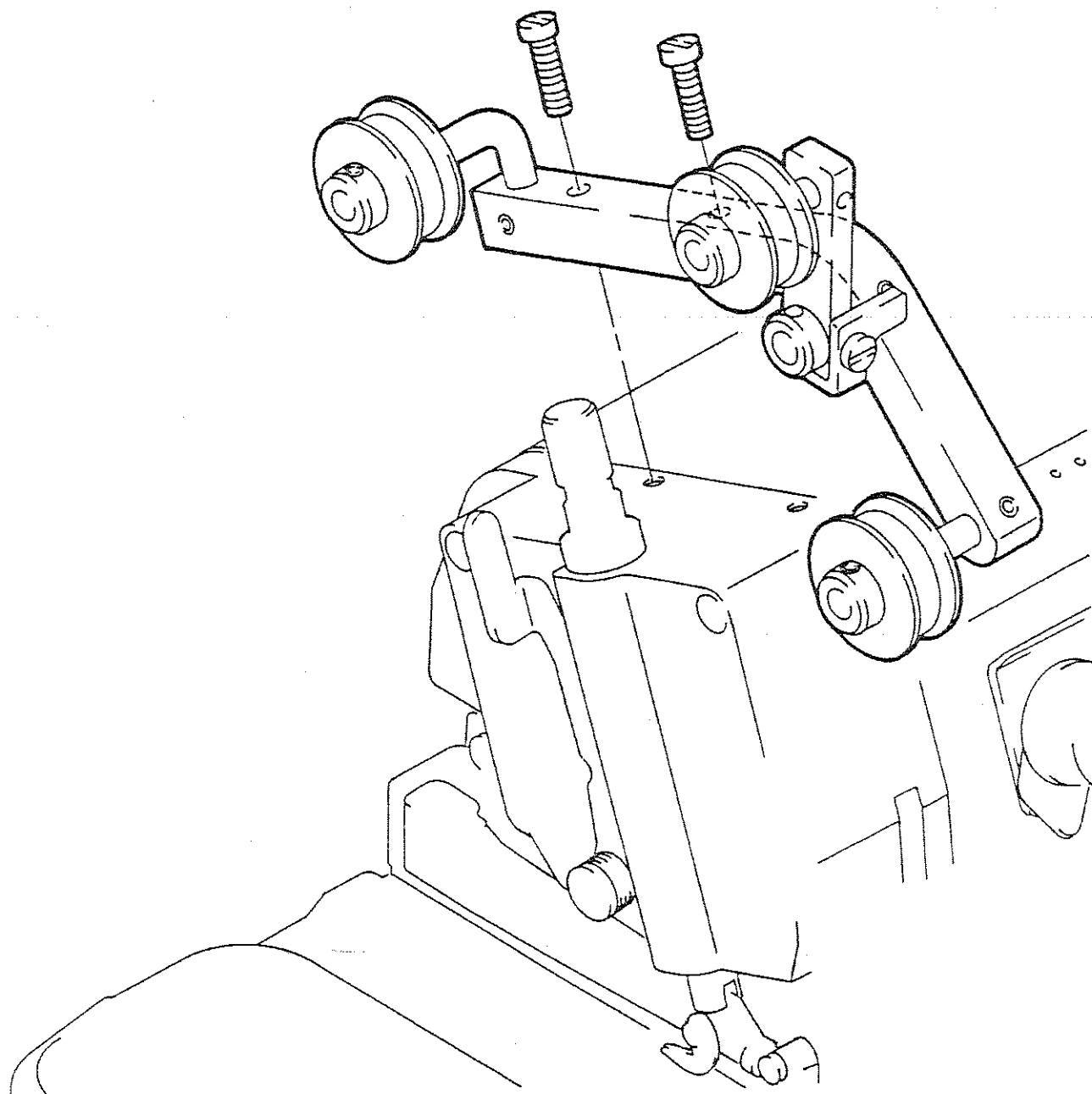
取付使用説明書
INSTRUCTIONS



PEGASUS®

Installing the roller assembly

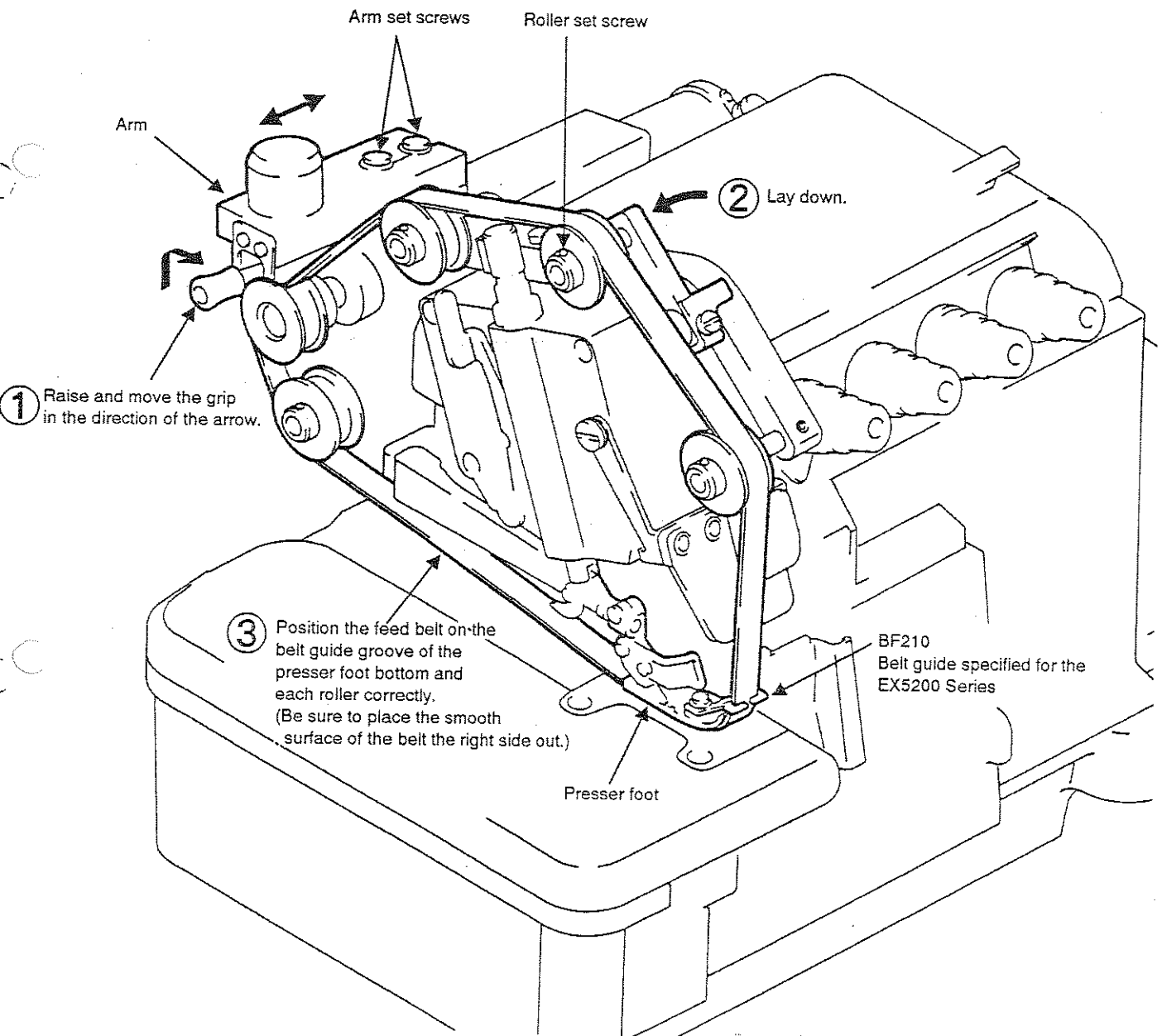
- Install the roller assembly by referring to the following illustration.



Positioning the feed belt

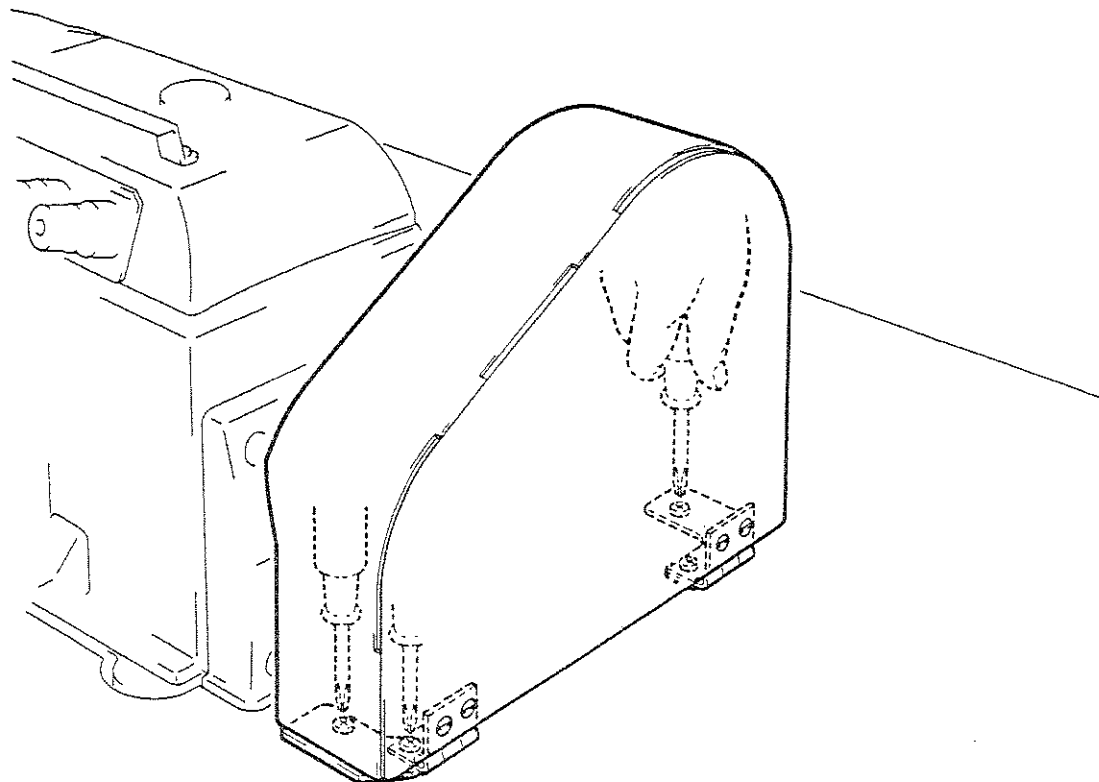
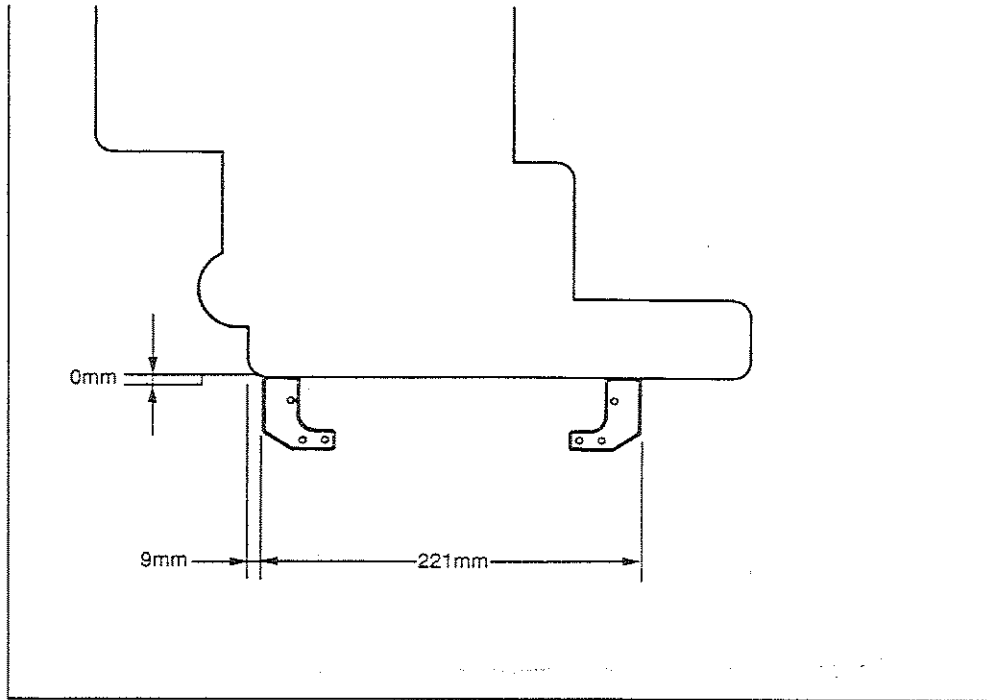
■ Position the feed belt by referring to the following illustration.

Loosen the set screws of each roller and the arm, and adjust the feed belt right or left.



Installing the crank cover

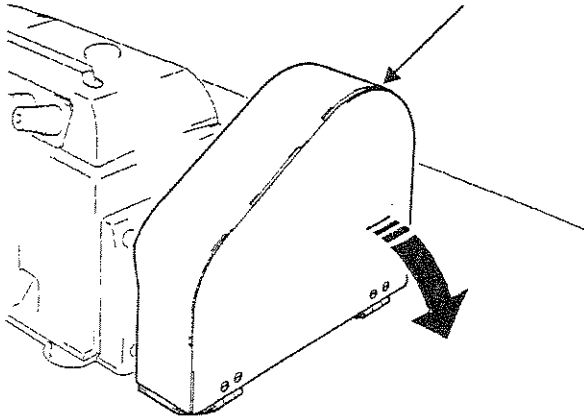
■ See the following illustrations.



Adjusting the belt feed

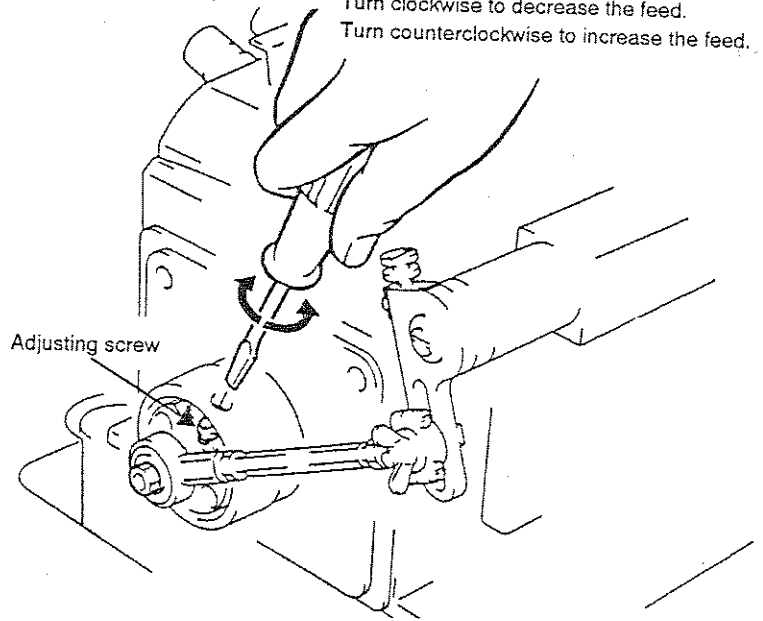
■ Adjust the belt feed by referring to the following illustrations.

Lay the crank cover down.



● To make the belt feed adjustment

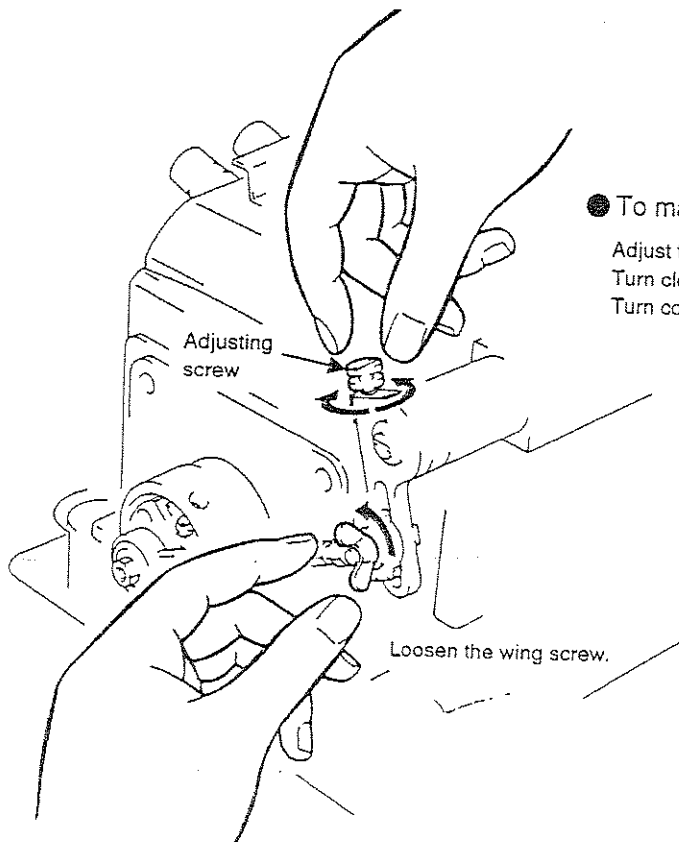
Turn the adjusting screw.
Turn clockwise to decrease the feed.
Turn counterclockwise to increase the feed.



Adjusting screw

● To make the fine belt feed adjustment

Adjust the feed by turning the adjusting screw.
Turn clockwise to increase the feed.
Turn counterclockwise to decrease the feed.

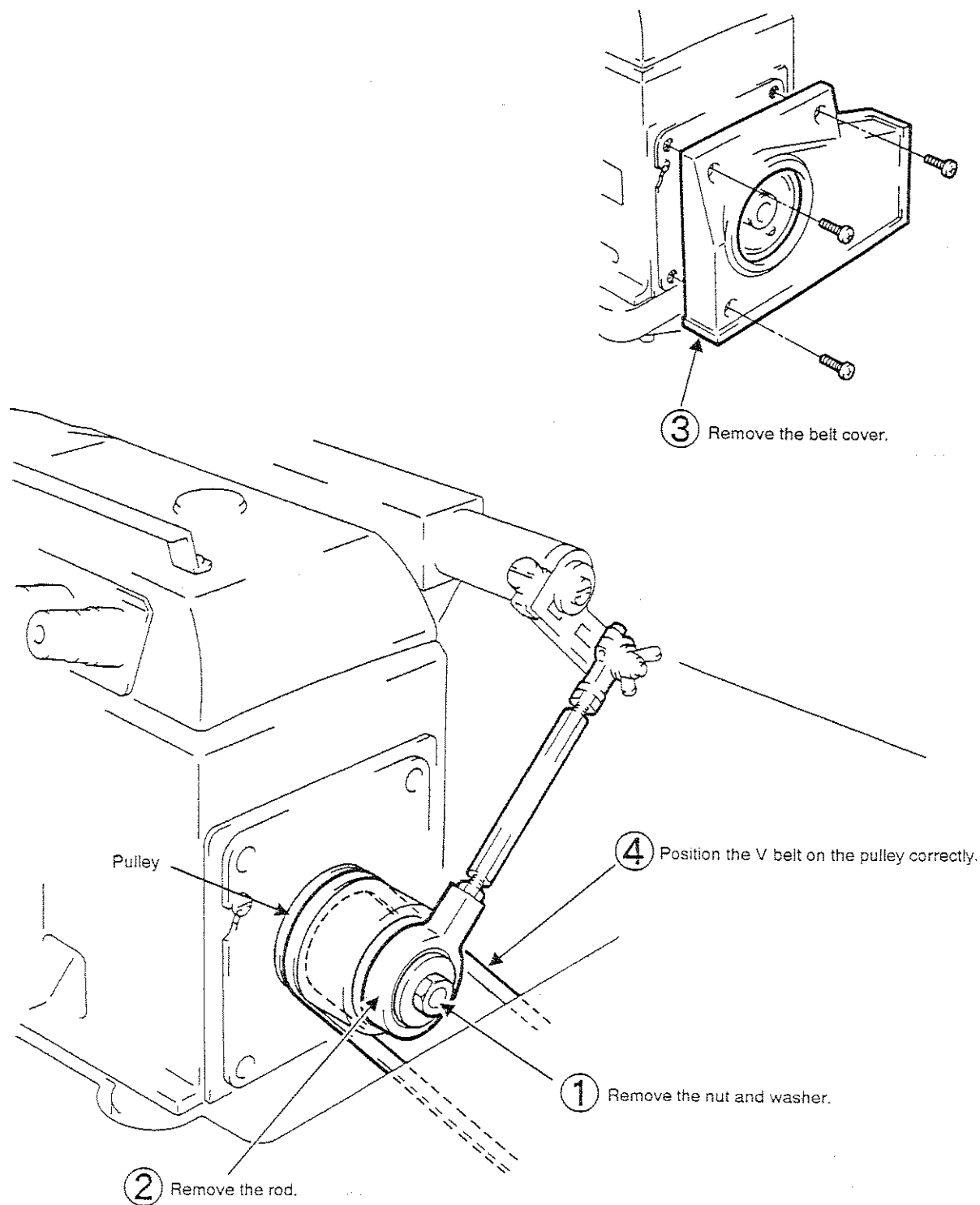


Adjusting screw

Loosen the wing screw.

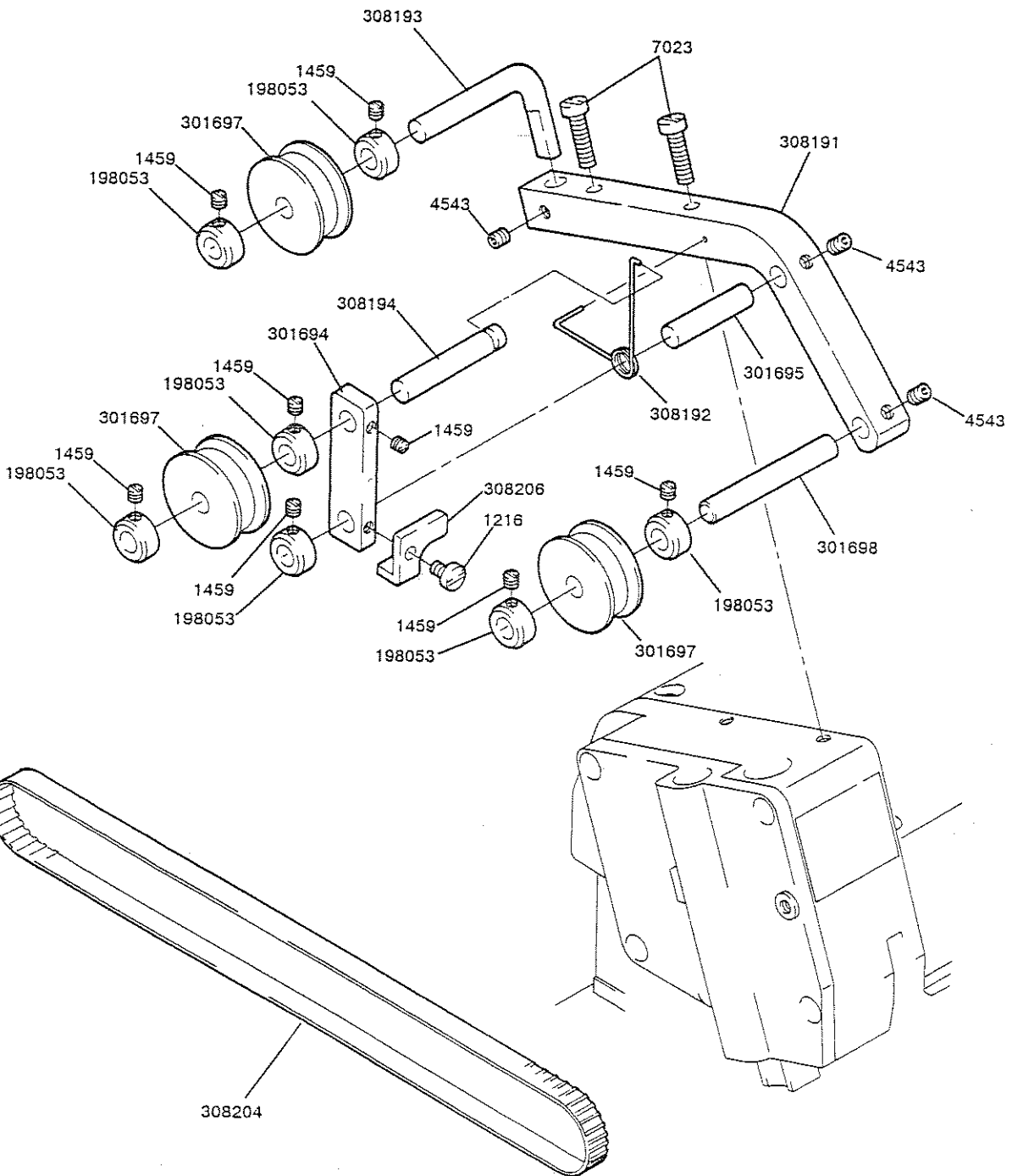
Positioning the V belt

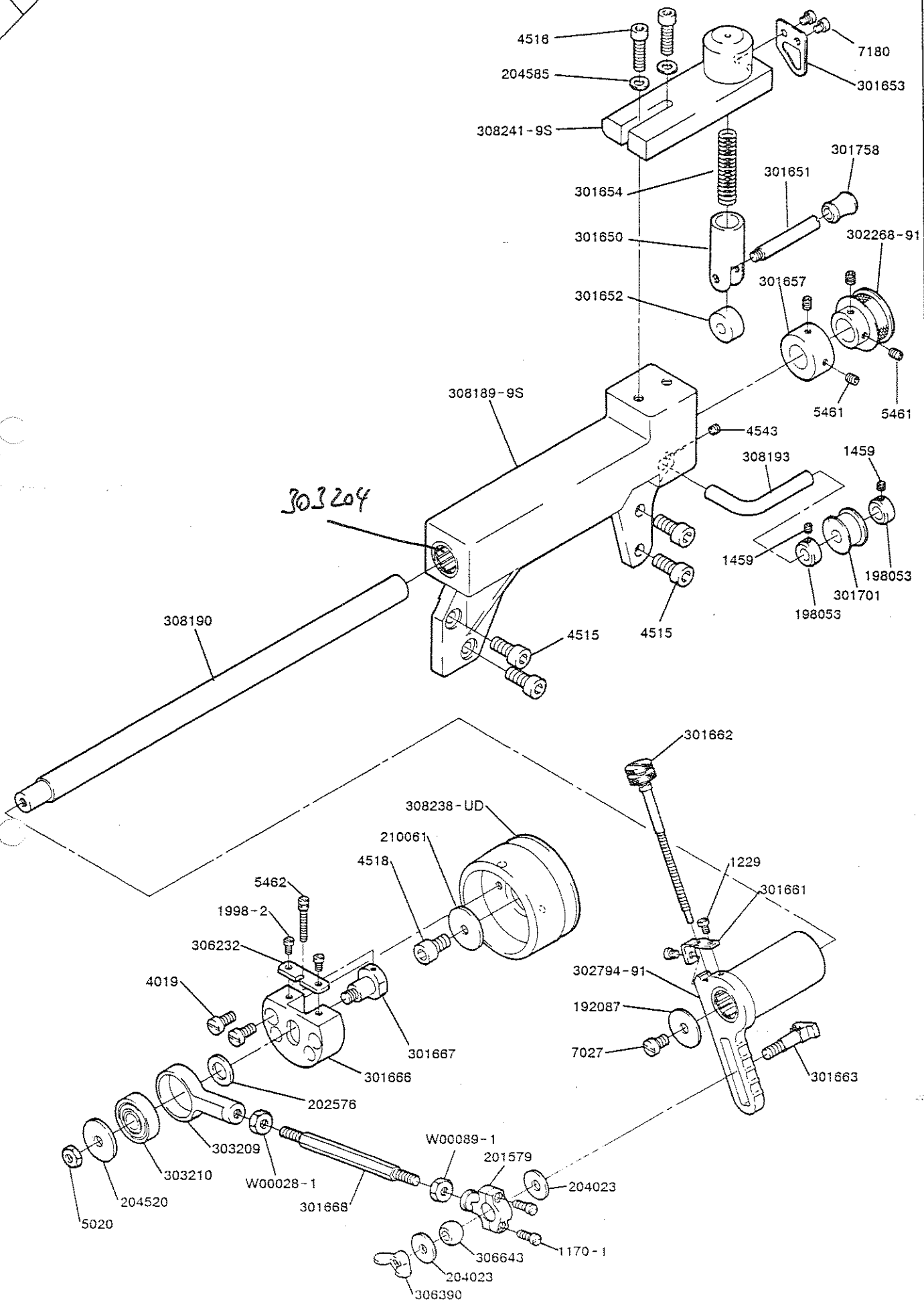
■ See the following illustrations.

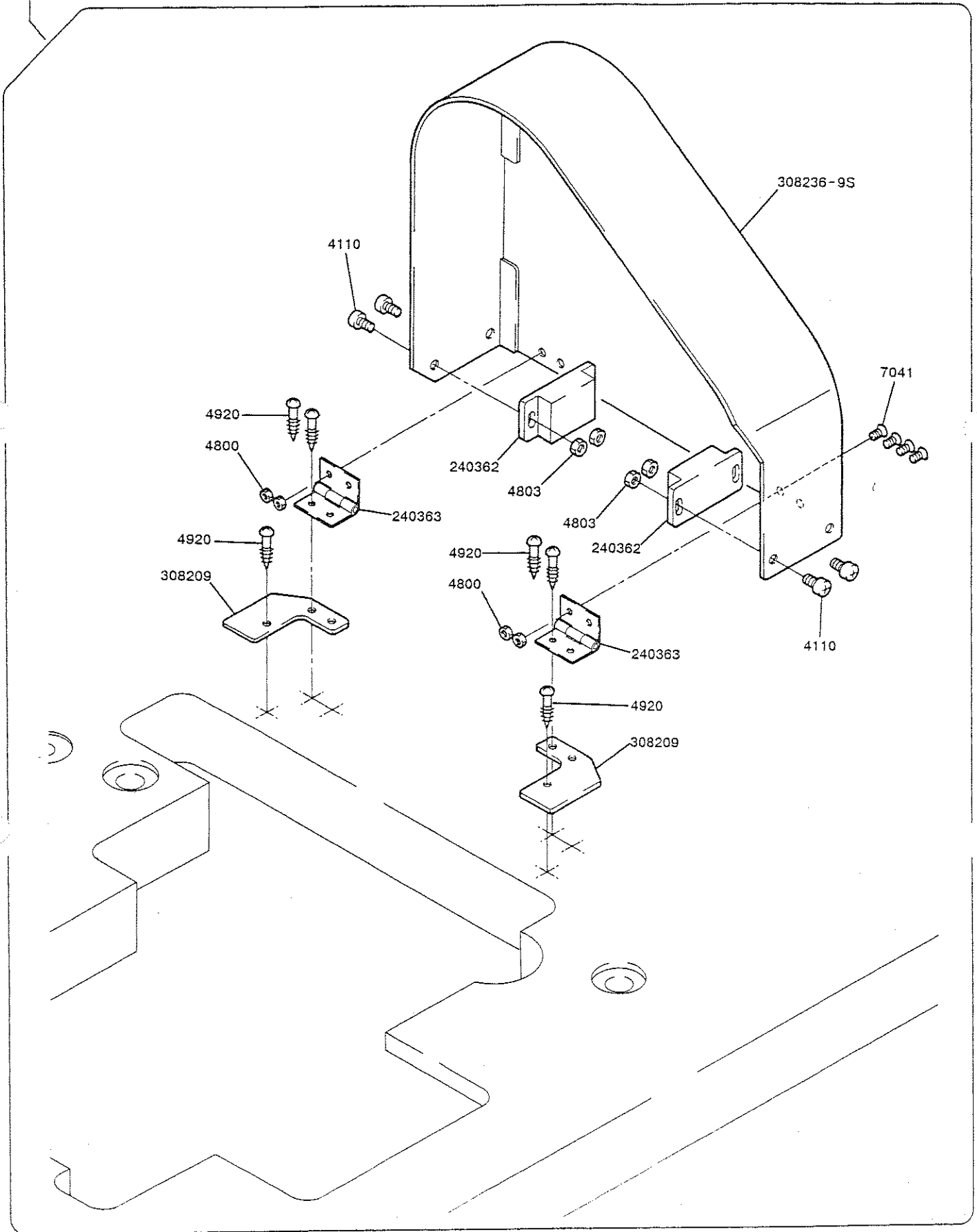


BF-210

308201-91

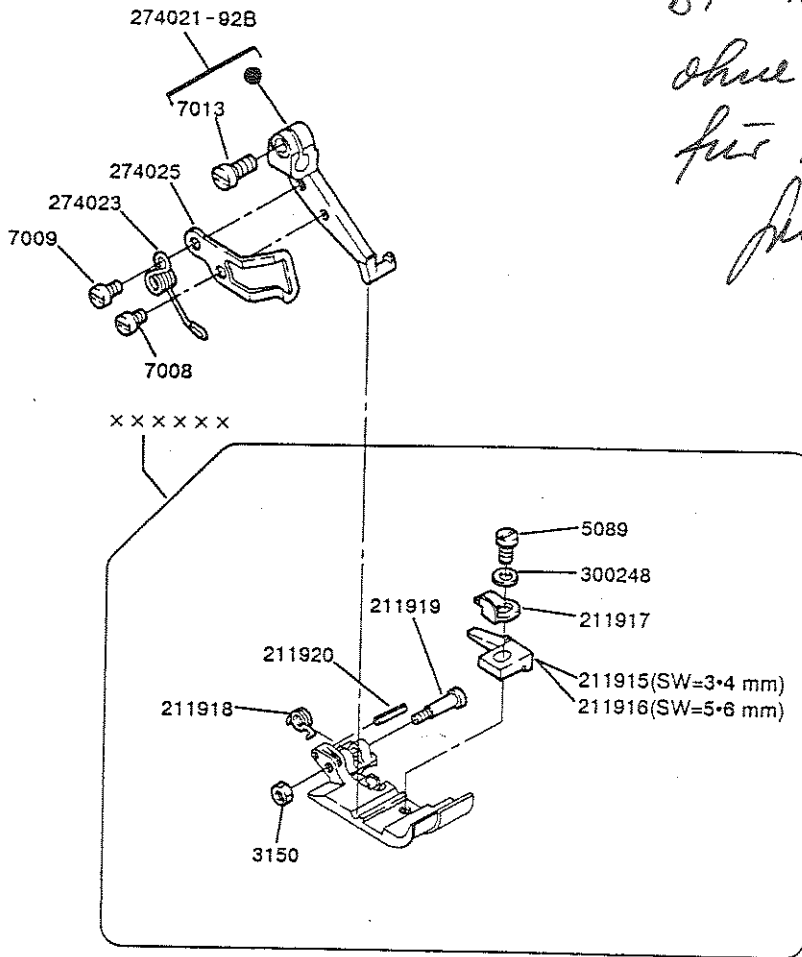




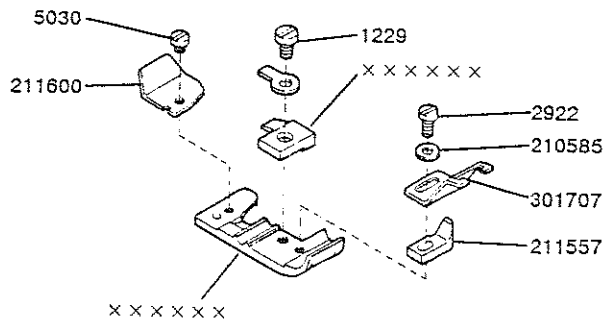


EX3200 Series / BF210

Herrn Puertel
BF-Nähfuß ist
ohne Schlitze
für Bandführung.
Bitte
U. Zobe
13/12/01



EX5200 Series / BF210



××××× は ゲージパーツです。
 18,19 頁のゲージパーツ表で確認して下さい。
 ××××× indicates gauge parts.
 Please confirm the correct part numbers by the gauge parts lists on pages 18,19.

形式 MACHINE TYPE /SPEC.	ゲージ		針板 NEEDLE PLATE	主送り歯(組) MAIN FEED DOG ASS.	主送り歯本体 MAIN FEED DOG	補助送り歯 AUX. FEED DOG	差動送り歯 DIFF. FEED DOG	押工(組) PRESSER FOOT ASS.	上ルーバー UPPER LOOPER	上スプレッター UPPER SPREADER	下ルーバー LOWER LOOPER	二重繰ルーバー CHAINSTITCH LOOPER
	NG	SW										
EX3216-02/223	3	3	277515R30	277323-16	(277324-16)	(277318-13)	277326-16	301705-TA	277010 # 2	277014A # 8	277015	277018
	4	4	277513R40	277323-16	(277324-16)	(277318-13)	277325-16	301732-TA	277010 # 2	277014A # 8	277015	277018
	5	5	" 50									

形式 MACHINE TYPE /SPEC.	ゲージ		上メス		下メス LOWER KNIFE	オーバー針受		針留 NEEDLE HOLDER	針留糸道 THREAD GUIDE (NDL HOLDER)	針 NEEDLE
	NG	SW	平メス FLAT KNIFE	角メス ANGLED KNIFE		前 FRONT	後 REAR			
					CHAINSTITCH NEEDLE GUARD FRONT			CHAINSTITCH NEEDLE GUARD REAR		
EX3216-02/223	3	3	201121A	-	202295	277007	277004	277027-02	275030	DC X 27 # 11
	4	4	201121A	-	202295	277007	277004	277027-02	275030	DC X 27 # 11
	5	5								

形式 MACHINE TYPE /SPEC.	ゲージ GAUGE		針板 NEEDLE PLATE	主送り歯(組) MAIN FEED DOG ASS.	主送り歯本体 MAIN FEED DOG	補助送り歯 AUX. FEED DOG	差動送り歯 DIFF. FEED DOG	押し PRESSER FOOT	押エ爪 PRESSER FOOT FINGER	上ルーバー UPPER LOOPER	下ルーバー LOWER LOOPER
	NG	SW									
EX5204-02/233	-	3	277504R30	277303-16F	(277304-16F)	(277318-13)	277305-16F	301704-TA	301710-TA	277010 #2	277015
		4	" 40								
		5	" 50								
EX5214-03/333	2	3	277505R30	277303-16F	(277304-16F)	(277318-13)	277305-16F	301704-TA	301714-TA	277010A #5	277015
		4	" 40								
		5	" 50								
EX5214-03C3/333	2	3	277505R30	277303-16F	(277304-16F)	(277318-13)	277305-16F	301704-TA	301714-TA	277010A #5	277015
		4	" 40								
		5	" 50								

形式 MACHINE TYPE /SPEC.	ゲージ GAUGE		平メス FLAT KNIFE	上メス UPPER KNIFE	下メス LOWER KNIFE	針受 NEEDLE GUARD		針留 NEEDLE HOLDER	針留糸道 THREAD GUIDE (NDL HOLDER)	針 NEEDLE
	NG	SW				前 FRONT	後 REAR			
EX5204-02/233	-	3	201121A	-	201127	277005	277004	179630-92	275019A	DC X 27 # 9
		4								
		5								
EX5214-03/333	2	3	201121A	-	202295	277005	277004	277022-92	275019B	DC X 27 # 9
		4								
		5								
EX5214-03C3/333	2	3	201121A	-	202295	277005	277004	277022-92	275019B	DC X 27 # 11
		4								
		5								