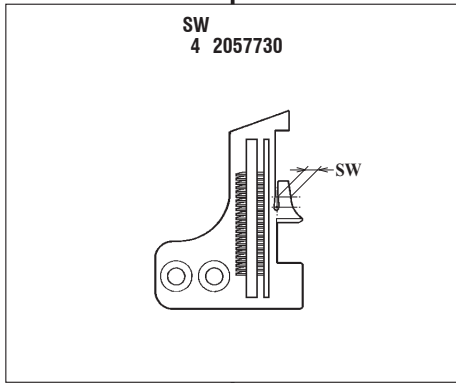
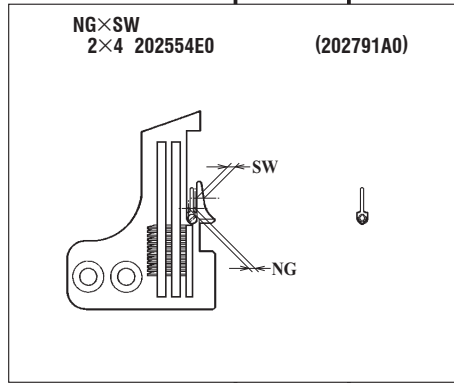


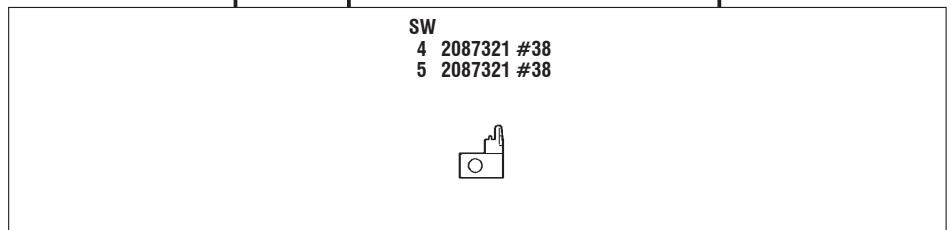
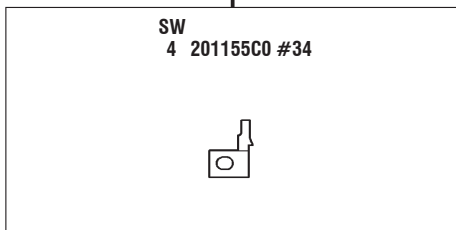
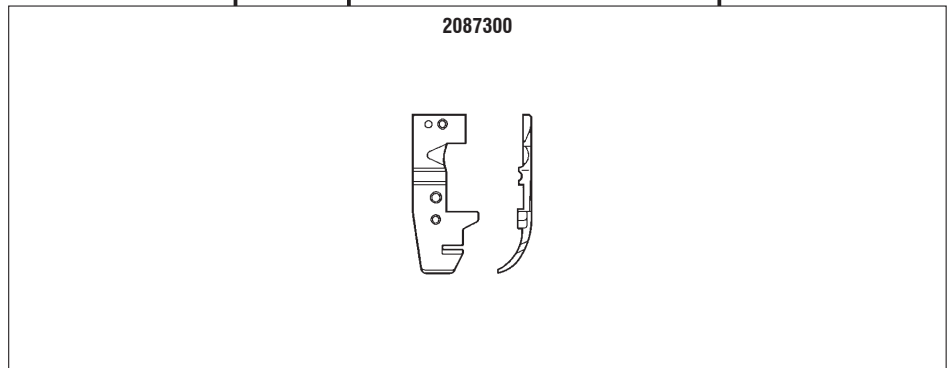
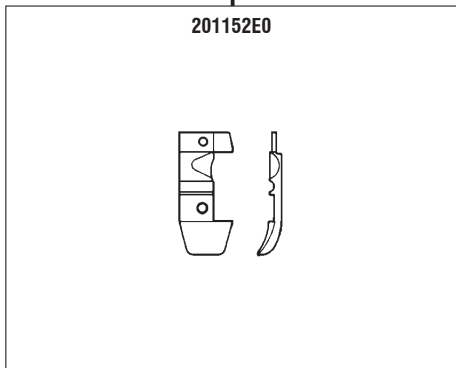
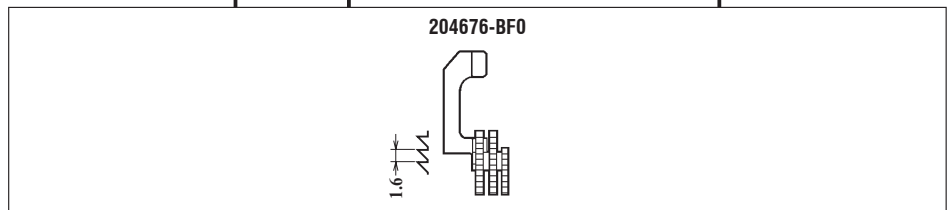
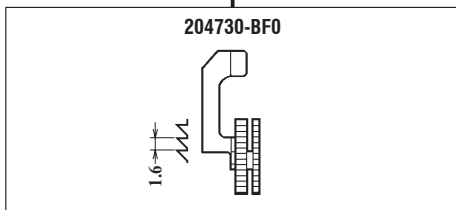
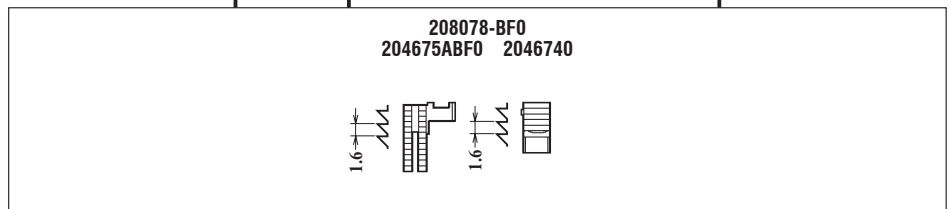
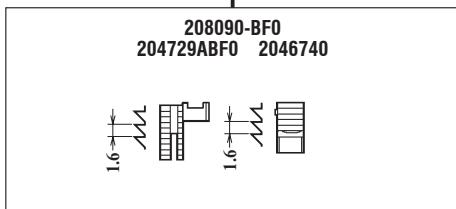
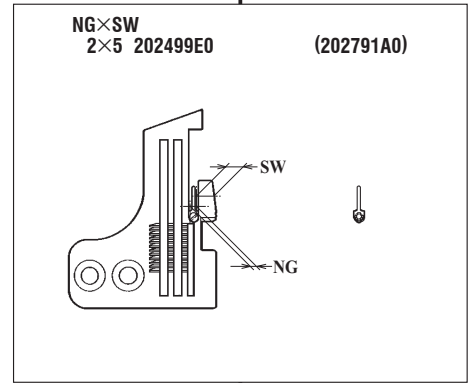
M752-01



M752-13



M752-13H



M752-01

209670-920



M752-13

M752-13H

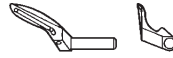
NG
2 208905A920



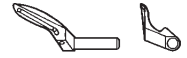
2040620 #2



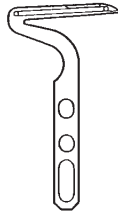
2049490 #11



2049630 #8



2040720



201121A0



2022950



裾引用 (薄~中厚生地)
BLINDSTITCH HEMMING
(LIGHT~MEDIUM WEIGHT FABRIC)

地縫用 (薄~中厚生地)
PLAIN SEAMING
(LIGHT~MEDIUM WEIGHT FABRIC)

地縫用 (中厚~厚生地)
PLAIN SEAMING
(MEDIUM~HEAVY WEIGHT FABRIC)

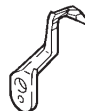
M752 Series
共通部品 COMMON PARTS

針受 NEEDLE GUARD

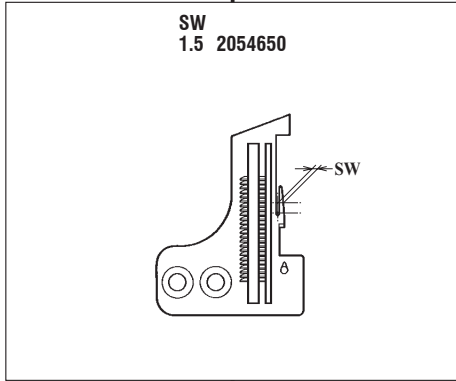
2046591



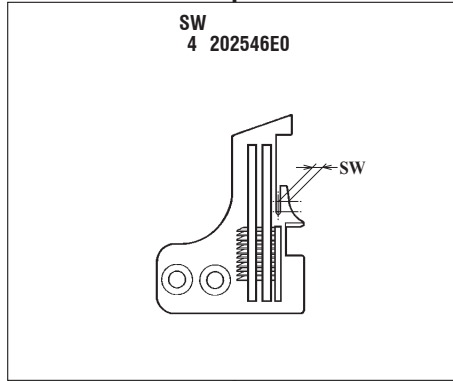
2090090



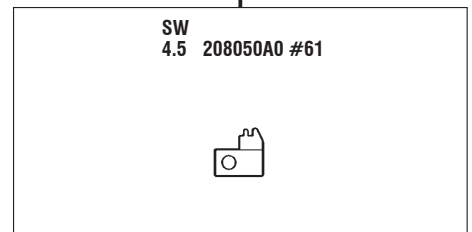
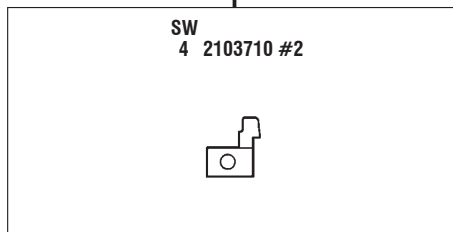
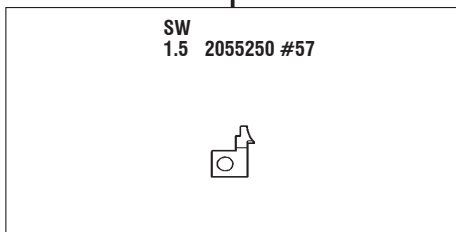
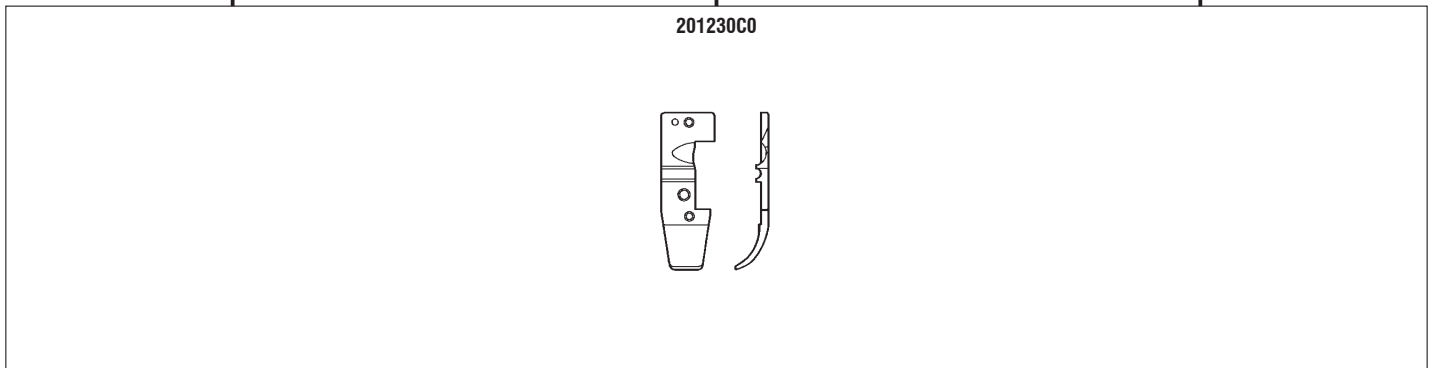
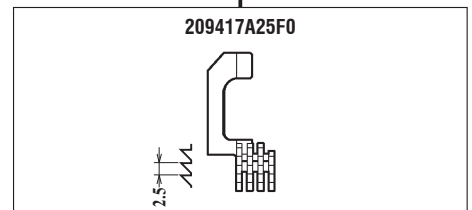
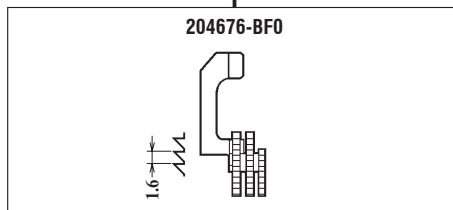
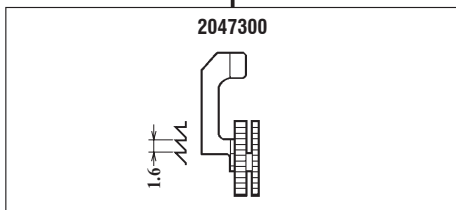
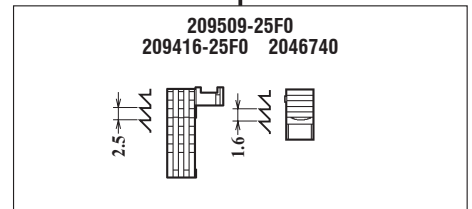
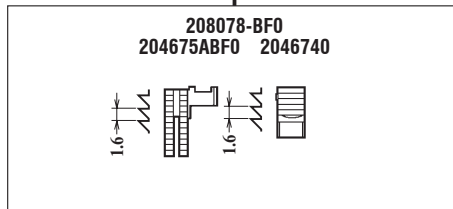
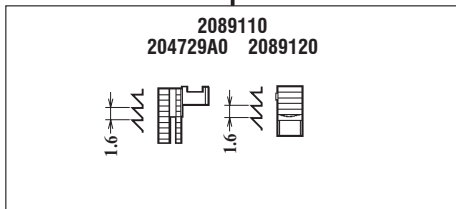
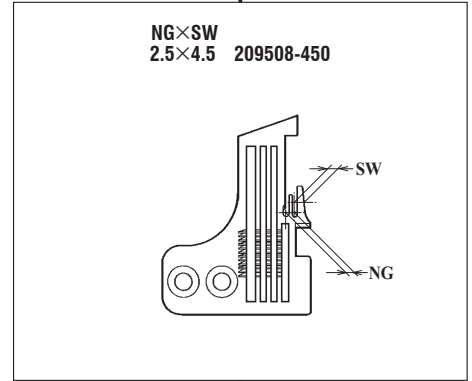
M752-16S2



M752-17



M752-23B



M752-16S2

M752-17

M752-23B

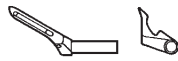
209670-920



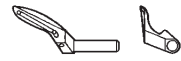
NG
2.5 208906A920



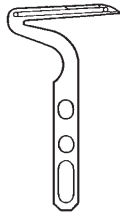
2040620 #2



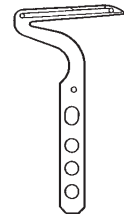
2049900 #12



2040720



2049910



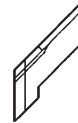
201121A0

2022950



2048350

2022950

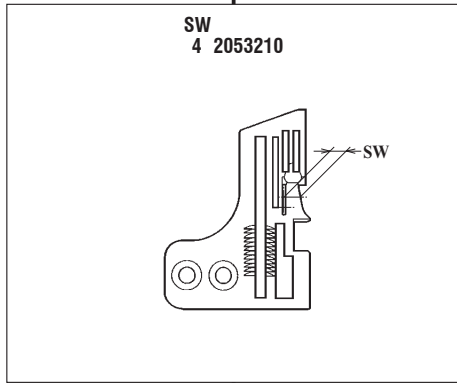


卷縫用 (薄生地)
TURN DOWN HEMMING
(LIGHT WEIGHT FABRIC)

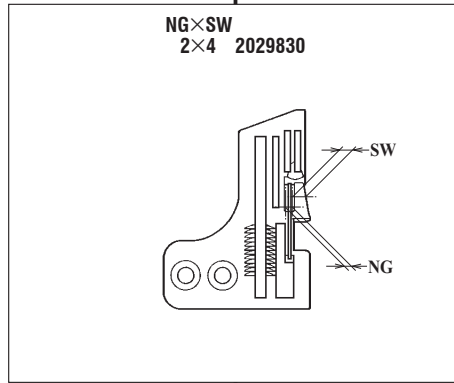
地縫用 (薄~中厚生地)
PLAIN SEAMING
(LIGHT~MEDIUM WEIGHT FABRIC)

地縫用 (極厚生地)
PLAIN SEAMING
(EXTRA HEAVY WEIGHT FABRIC)

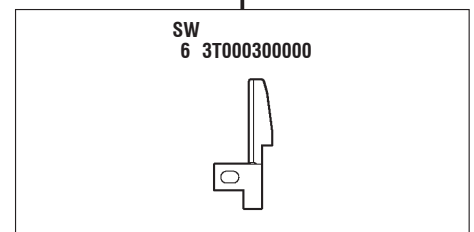
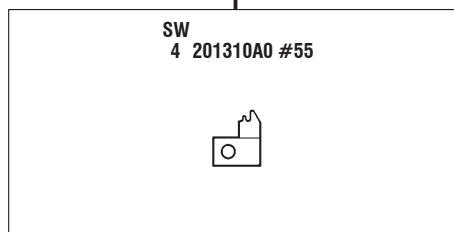
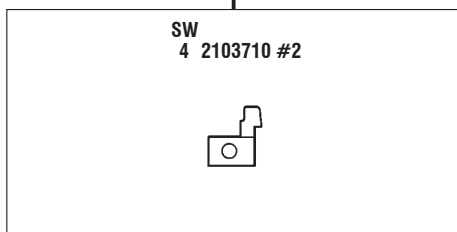
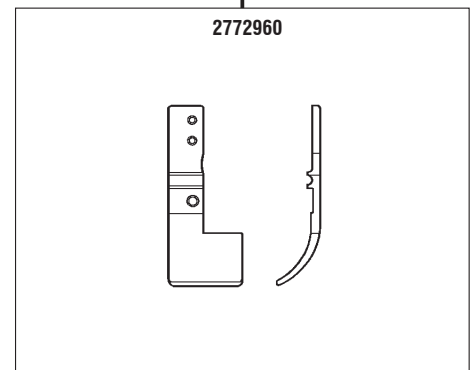
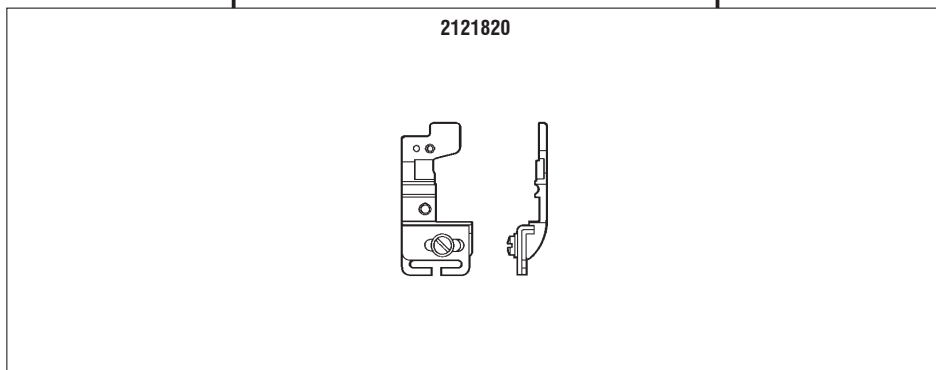
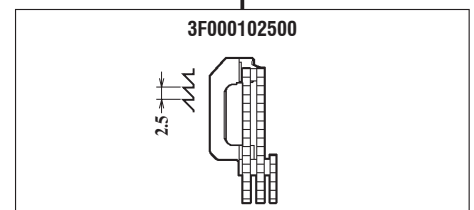
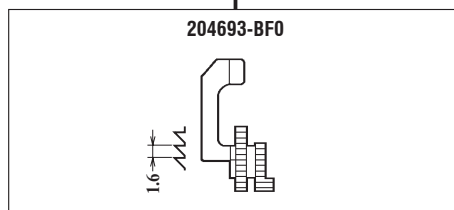
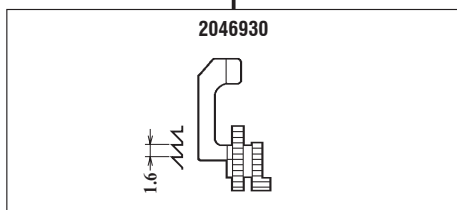
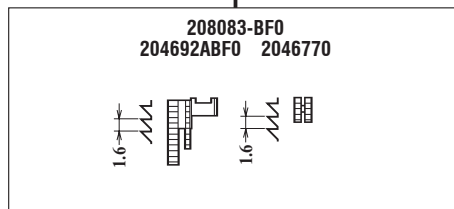
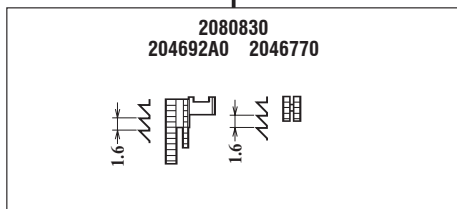
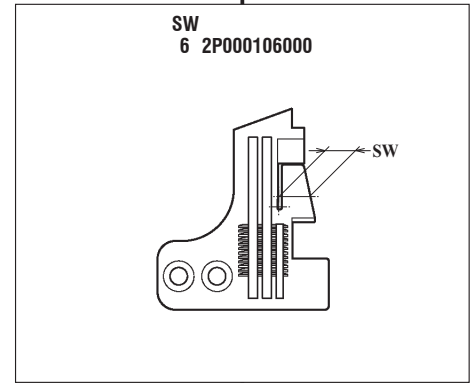
M752-54A



M752-55A



M752-90



M752-54A

M752-90

M752-55A

209670-920



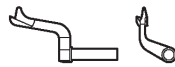
NG
2 208905A920



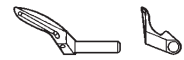
2047020 #4



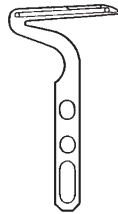
2F000100000



2049490 #11



2040720



201121A0



2022950



2770000



2770091

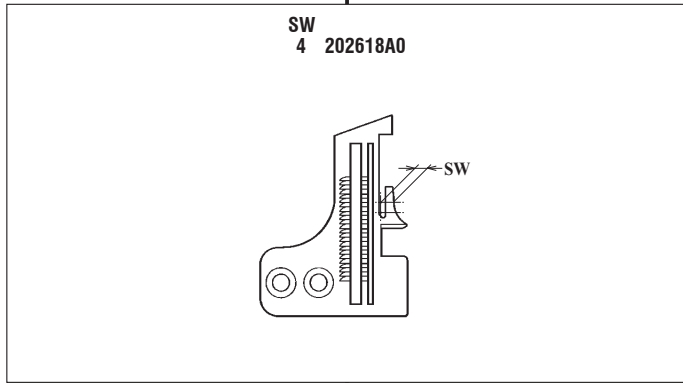


ゴムテープ入れ用 (中厚生地)
ATTACHING ELASTIC
(MEDIUM WEIGHT FABRIC)

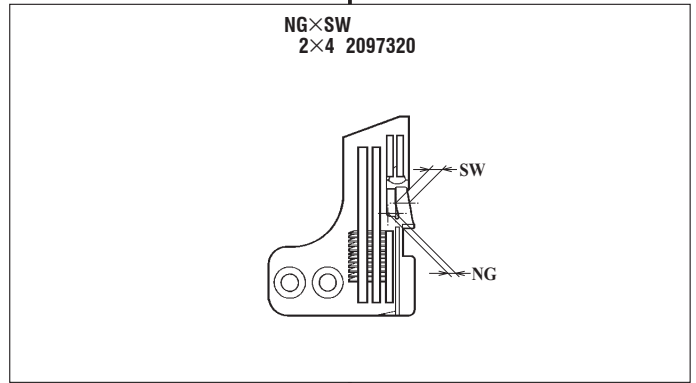
ゴムテープ入れ用 (薄~中厚生地)
ATTACHING ELASTIC
(LIGHT~MEDIUM WEIGHT FABRIC)

反継ぎ用 (中厚~厚生地)
BUTT-JOINING
(MEDIUM~HEAVY WEIGHT FABRIC)

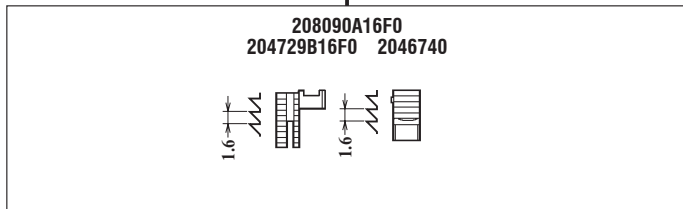
M752-180



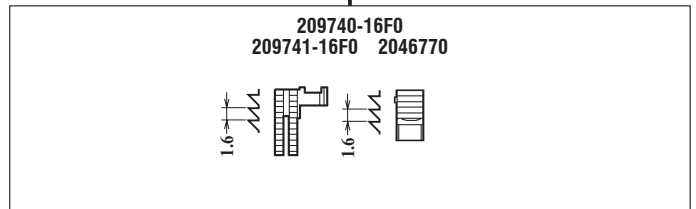
M752-181



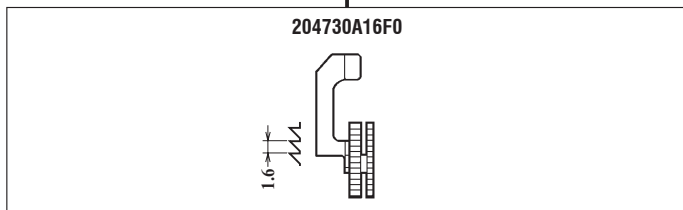
208090A16FO
204729B16FO 2046740



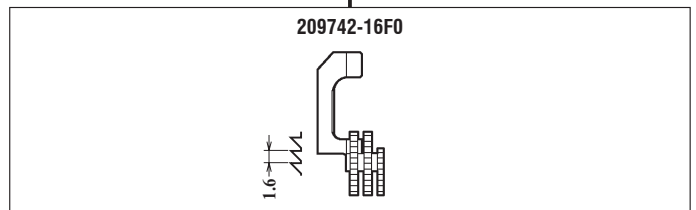
209740-16FO
209741-16FO 2046770



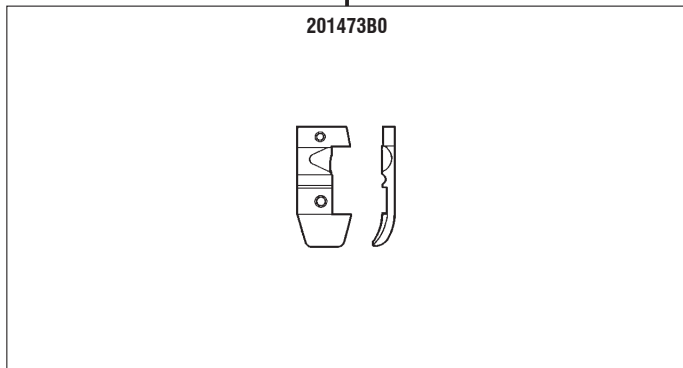
204730A16FO



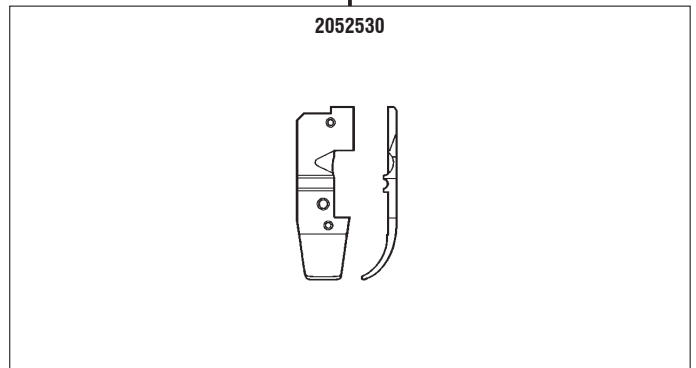
209742-16FO



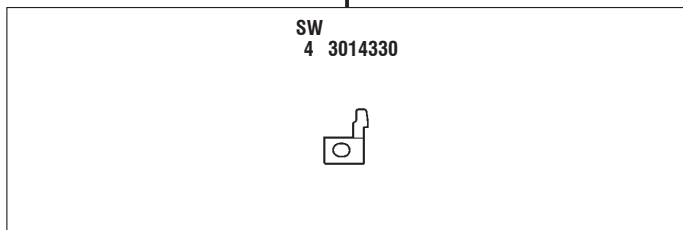
201473B0



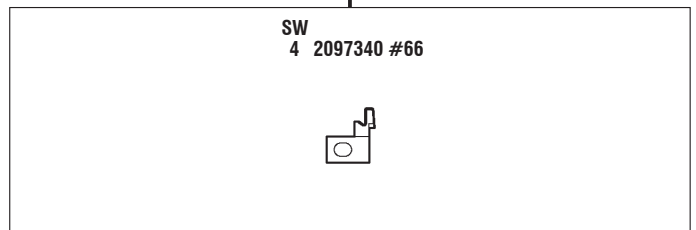
2052530



SW
4 3014330



SW
4 2097340 #66



M752-180

M752-181

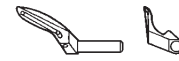
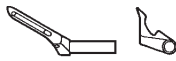
209670-920

208905A920

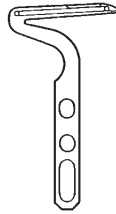


2040620 #2

2097330 #14

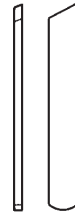


2040720



201121A0

2022950



バックタック用 (薄~中厚生地)
BACKLATCHING
(LIGHT~MEDIUM WEIGHT FABRIC)

バックタック用 (薄~中厚生地)
BACKLATCHING
(LIGHT~MEDIUM WEIGHT FABRIC)