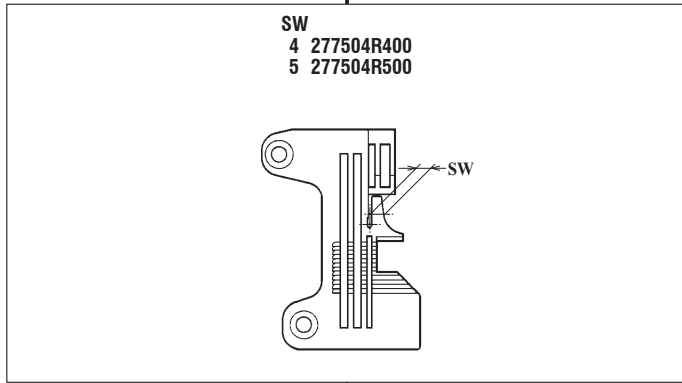
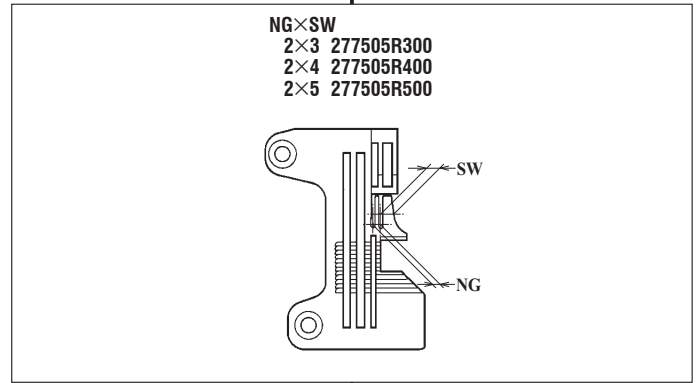


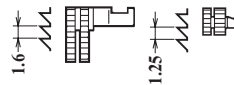
EXT5204-02/233(K)



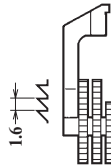
EXT5214-03/333(K)
EXT5214-M03/333(K)



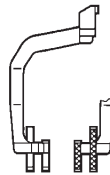
277303-16F0
277304-16F0 277318-130



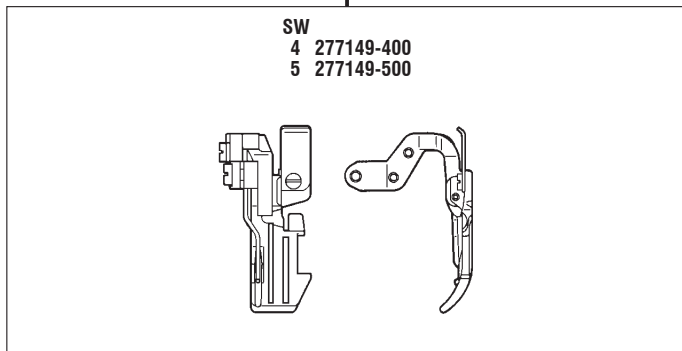
277305-16F0



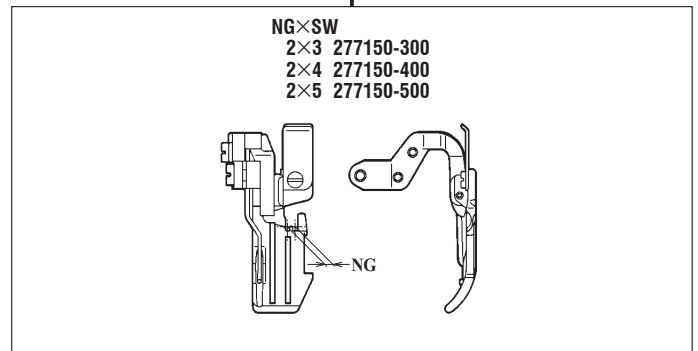
2773440



SW
4 277149-400
5 277149-500



NG×SW
2×3 277150-300
2×4 277150-400
2×5 277150-500



EXT5204-02/233(K)

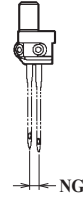
EXT5214-03/333(K)

EXT5214-M03/333(K)

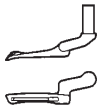
179630-920



NG
2 277022-920



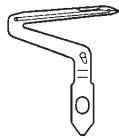
2770100 #2



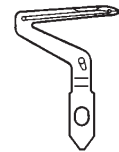
277010A0 #5



2770150



2770340



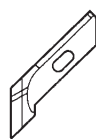
-02/233
-03,M03/333

-02/233K
-03,M03/333K

201121A0



2107550



2022950



地縫用 (薄~中厚生地)
PLAIN SEAMING
(LIGHT~MEDIUM WEIGHT FABRIC)

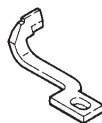
地縫用 (中厚~厚生地)
PLAIN SEAMING
(MEDIUM~HEAVY WEIGHT FABRIC)

地縫用 (中厚~厚生地)
PLAIN SEAMING
(MEDIUM~HEAVY WEIGHT FABRIC)

EXT5200 Series
共通部品 COMMON PARTS

針受 NEEDLE GUARD

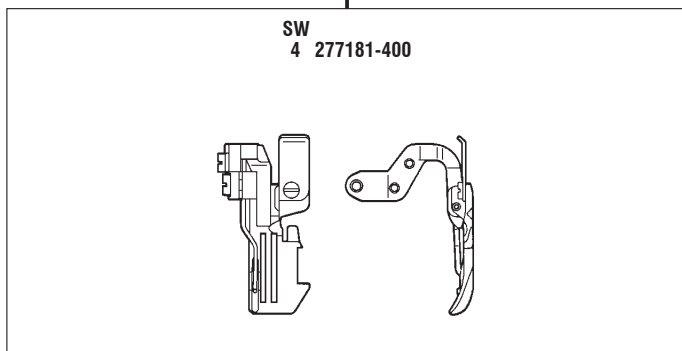
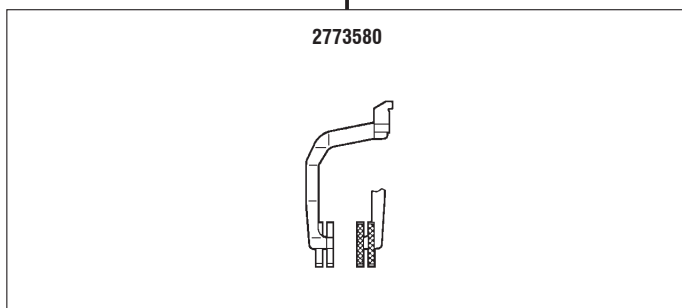
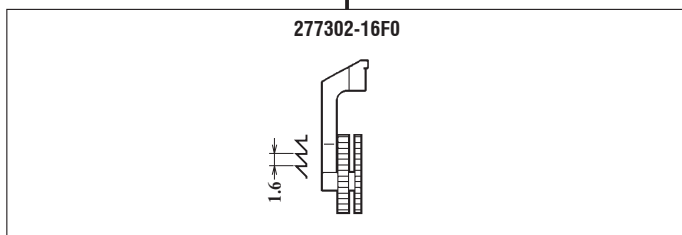
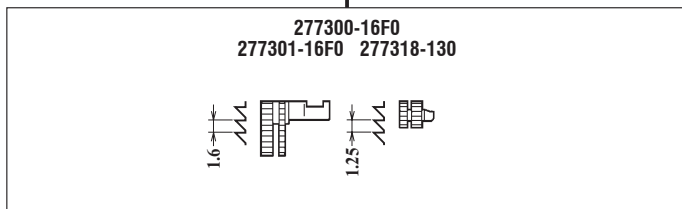
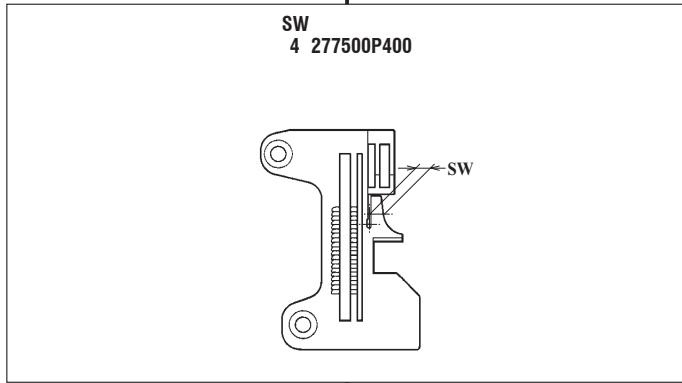
2770050 標準(Standard)
277005A0 EXT5214-84
EXT5214H-85



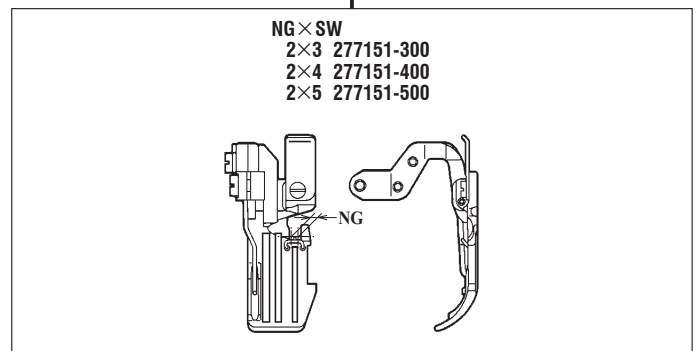
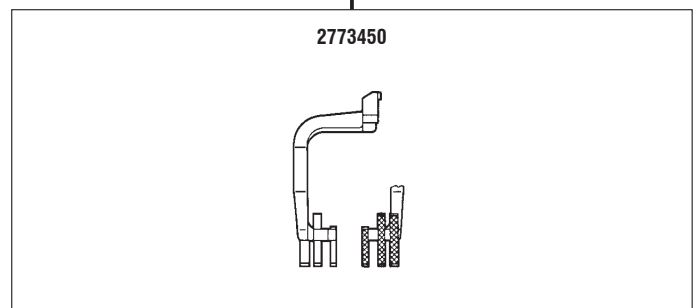
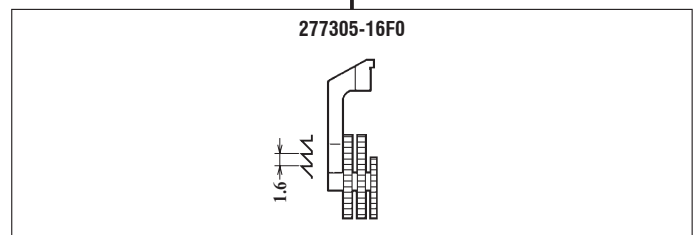
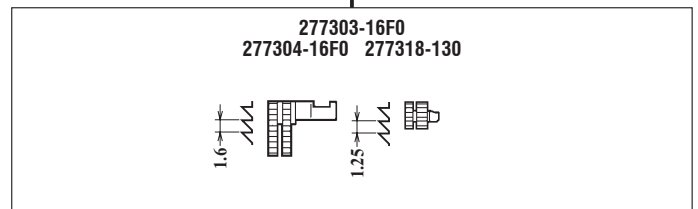
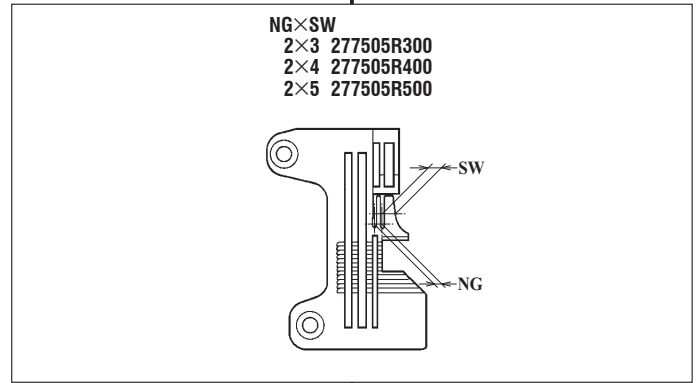
2770040



EXT5205-12/223(K)



EXT5214-43/333(K)



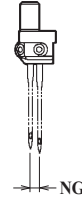
EXT5205-12/223(K)

EXT5214-43/333(K)

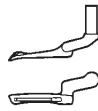
179630-920



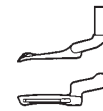
NG
2 277022-920



2770100 #2



277010A0 #5



2770150

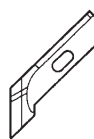


-12/223
-43/333

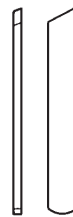
-12/223K
-43/333K

201121A0

2107550



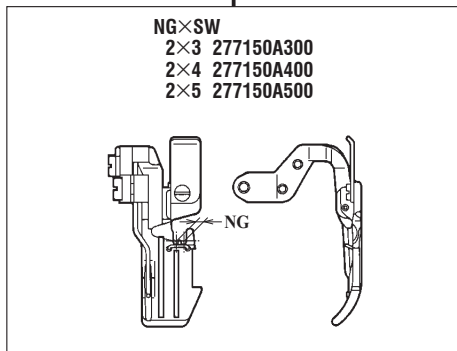
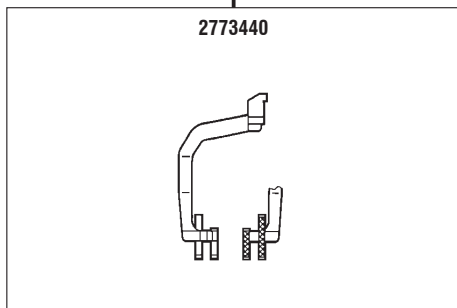
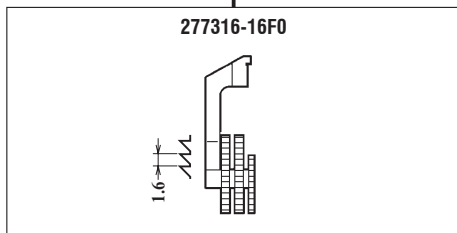
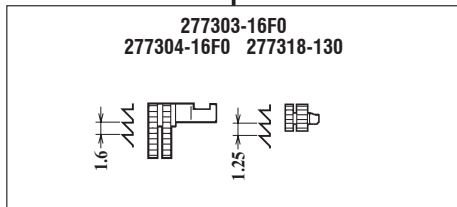
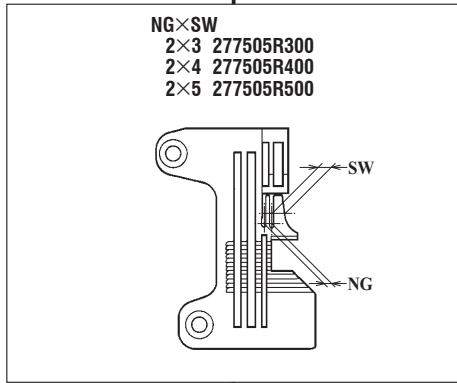
2022950



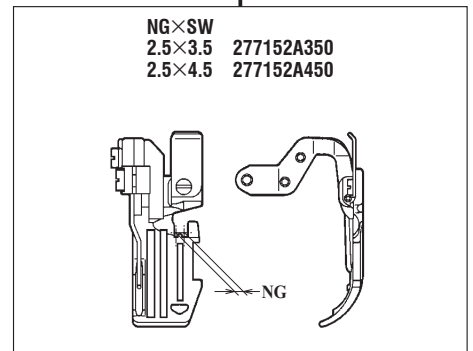
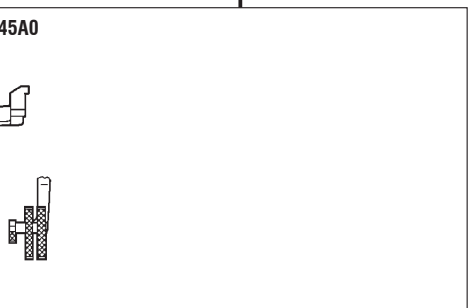
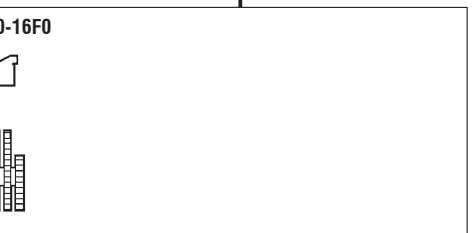
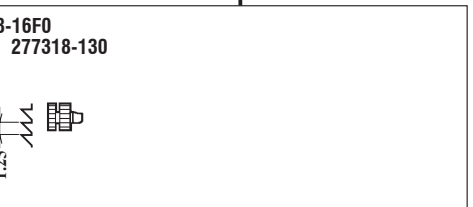
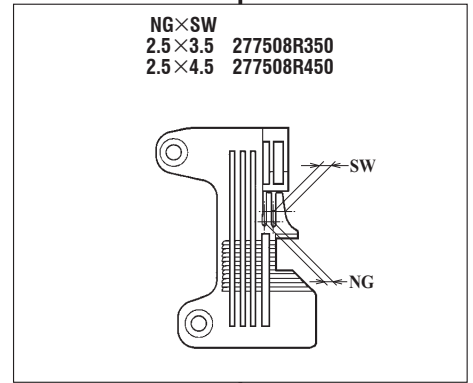
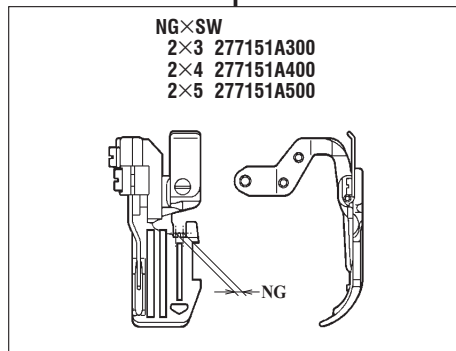
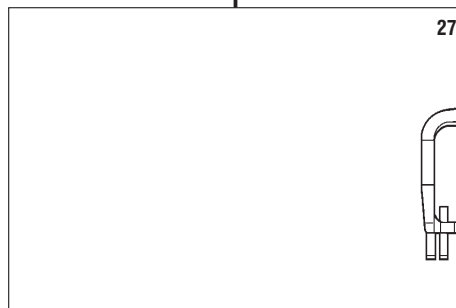
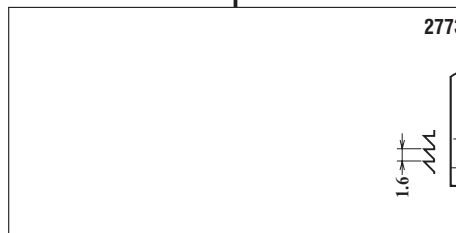
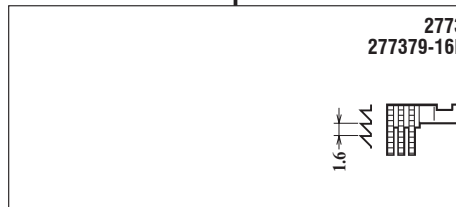
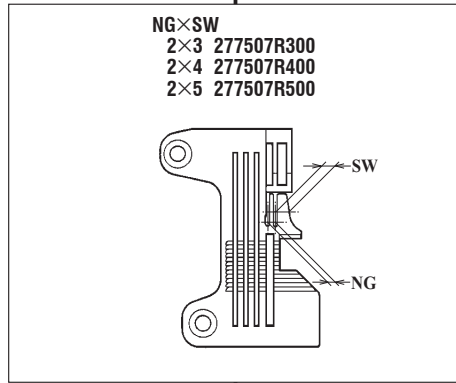
裾引用 (薄~中厚生地)
BLINDSTITCH HEMMING
(LIGHT~MEDIUM WEIGHT FABRIC)

ヒダ取り用 (中厚~厚生地)
SHIRRING
(MEDIUM~HEAVY WEIGHT FABRIC)

EXT5214-54S1/433(K)
EXT5214-54S2/433(K)

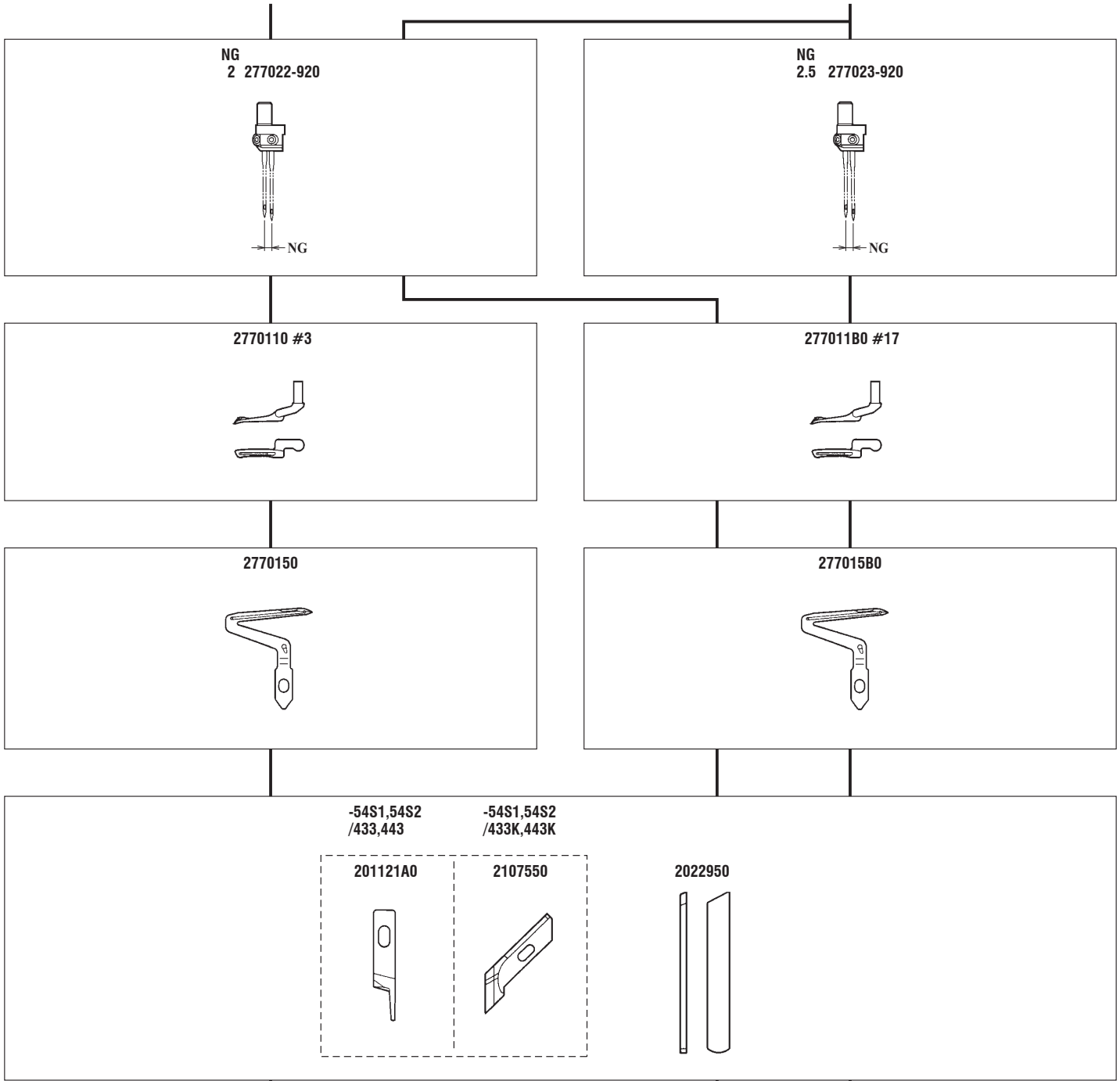


EXT5214-54S1/443(K)
EXT5214-54S2/443(K)



EXT5214-54S1/433(K)
EXT5214-54S2/433(K)

EXT5214-54S1/443(K)
EXT5214-54S2/443(K)

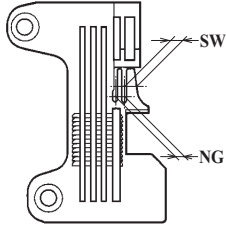


テープ付用 (厚~極厚生地)
ATTACHING TAPE
(HEAVY~EXTRA HEAVY WEIGHT FABRIC)

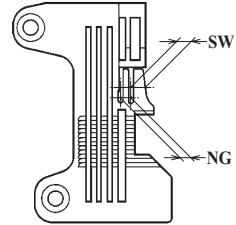
テープ付用 (厚~極厚生地)
ATTACHING TAPE
(HEAVY~EXTRA HEAVY WEIGHT FABRIC)

EXT5214H-55/545(K)

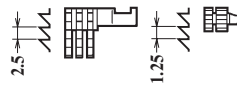
NG×SW
2.5×3.5 277526S350
2.5×4.5 277526S450



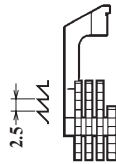
NG×SW
3×4 277510S400
3×5 277510S500



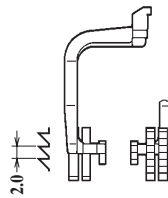
277378-25F0
277379-25F0 277318-130



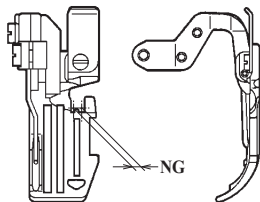
277380A25F0



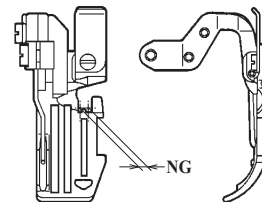
277345A20F0



NG×SW
2.5×3.5 277152A350
2.5×4.5 277152A450

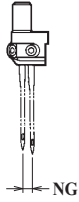


NG×SW
3×4 277152A450
3×5 277152A450

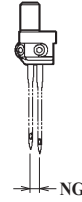


EXT5214H-55/545(K)

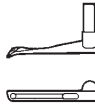
NG
2.5 277023-920



NG
3 277024-920



2770190 #12



277016A0



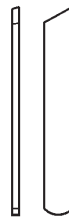
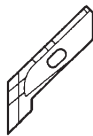
-55/545

-55/545K

2770000

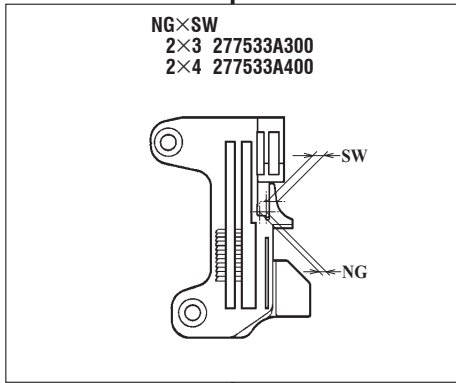
2116621

2770091

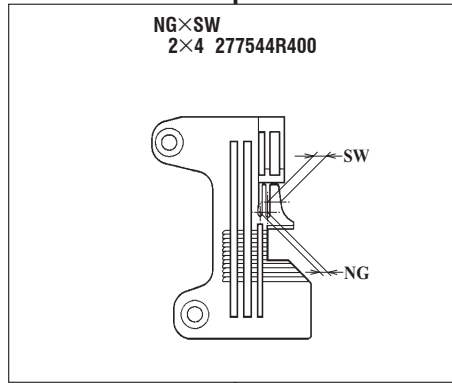


テープ付用 (極厚生地)
ATTACHING TAPE
(EXTRA HEAVY WEIGHT FABRIC)

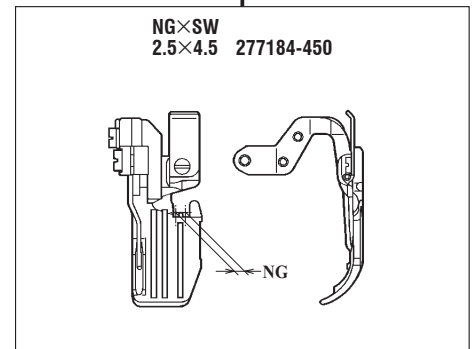
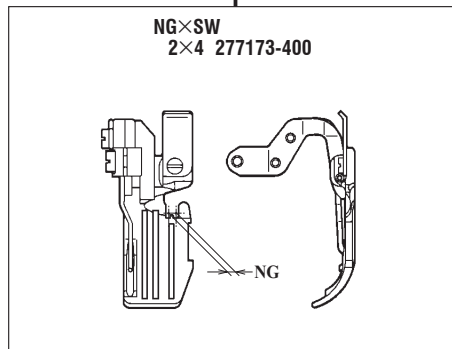
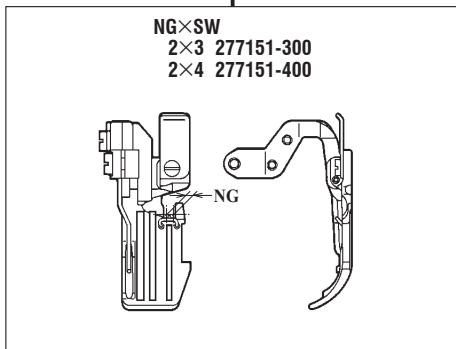
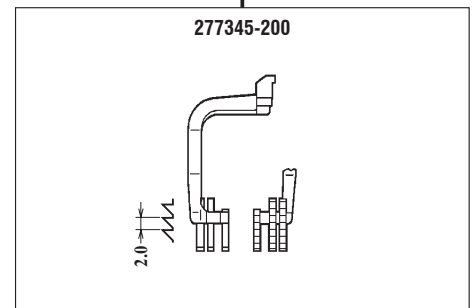
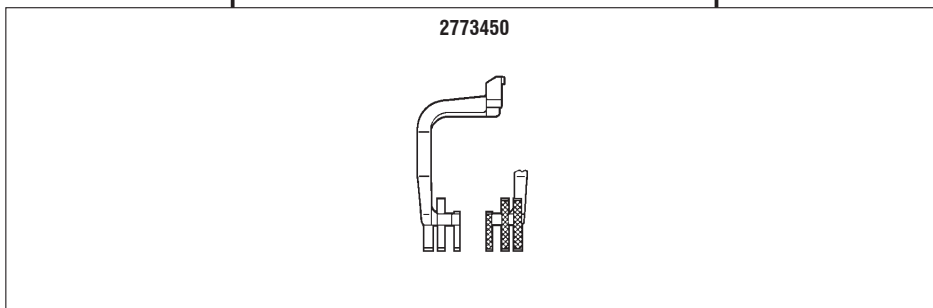
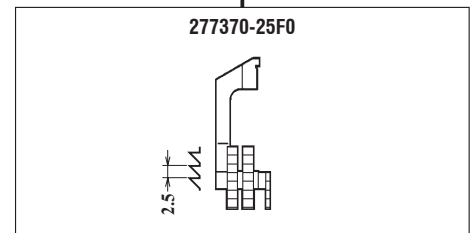
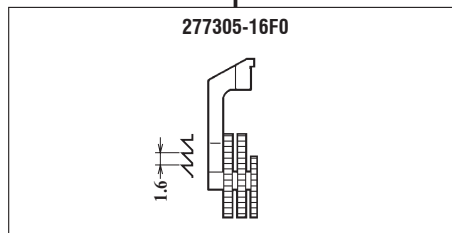
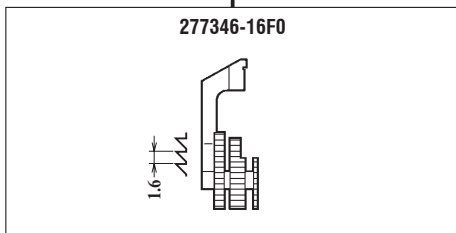
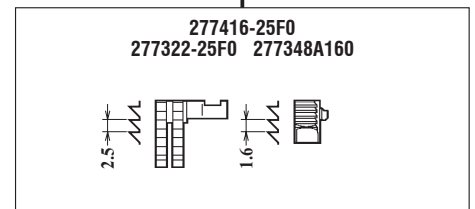
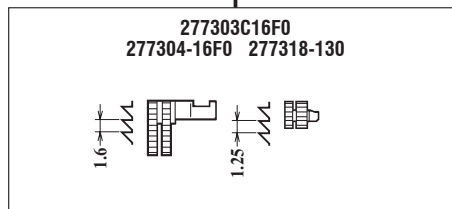
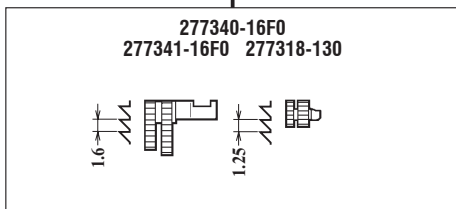
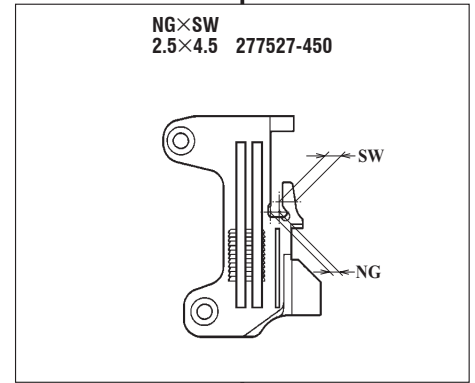
EXT5214-84/433(K)



EXT5214-C3P1/333(K)
EXT5214-C3P2/333(K)



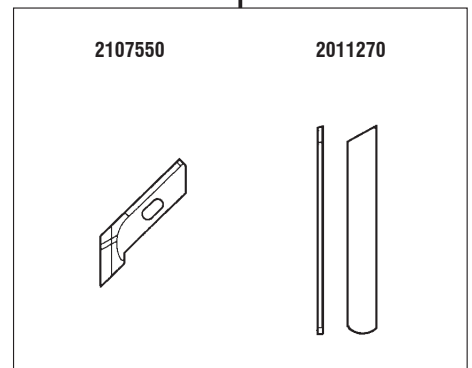
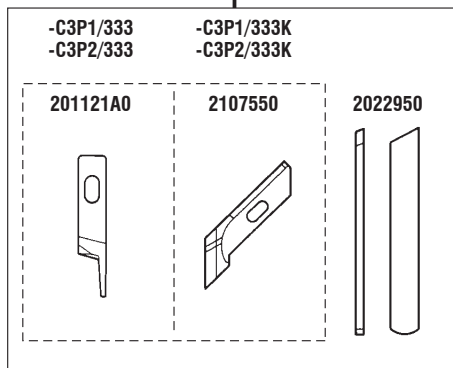
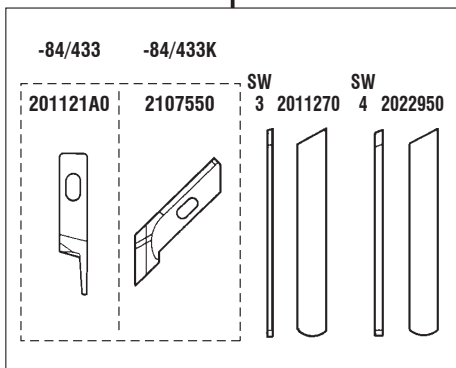
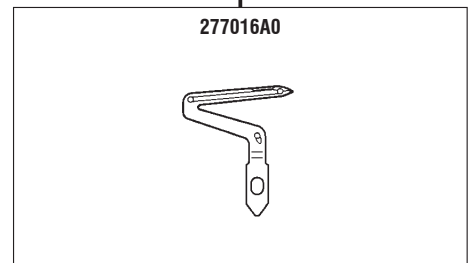
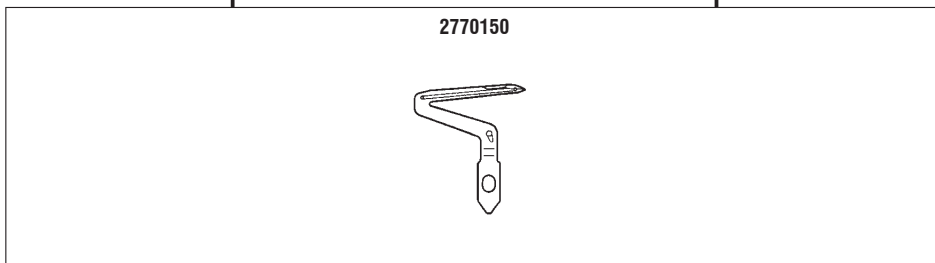
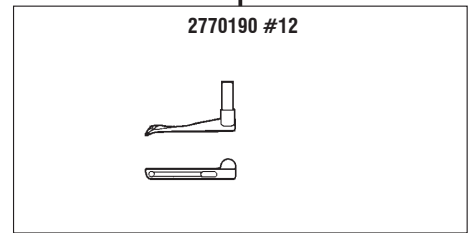
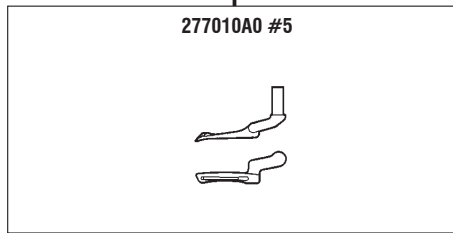
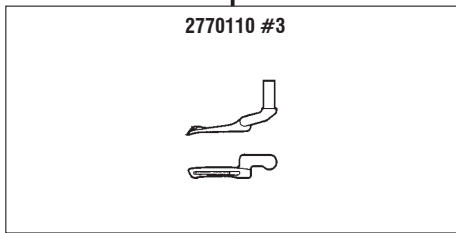
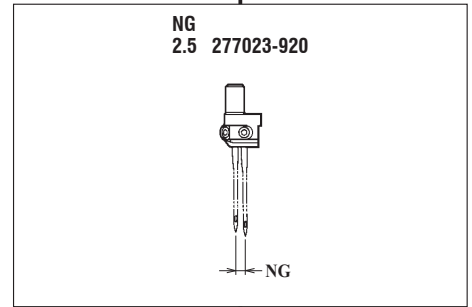
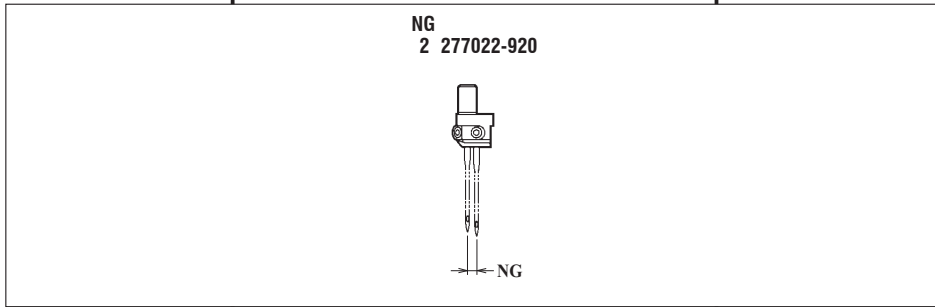
EXT5214H-85/535(K)



EXT5214-84/433(K)

EXT5214-C3P1/333(K)
EXT5214-C3P2/333(K)

EXT5214H-85/535(K)



バックタック用 (厚~極厚生地)
BACKLATCHING
(HEAVY~EXTRA HEAVY WEIGHT FABRIC)

パイピング用 (中厚~厚生地)
PIPING
(MEDIUM~HEAVY WEIGHT FABRIC)

バックタック用 (極厚生地)
BACKLATCHING
(EXTRA HEAVY WEIGHT FABRIC)