

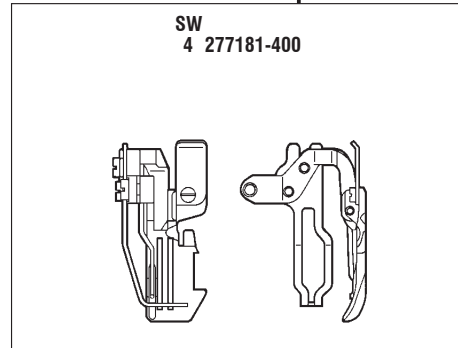
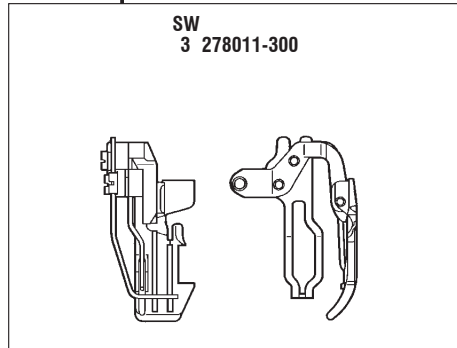
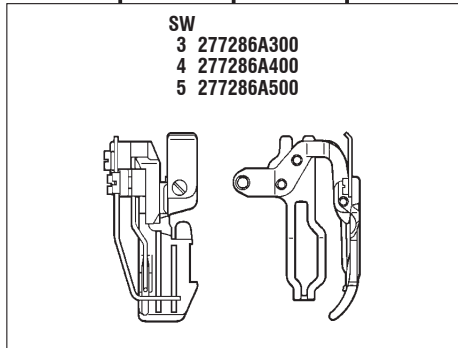
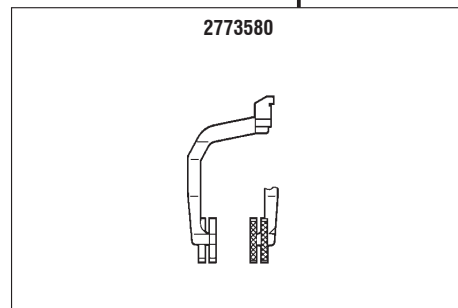
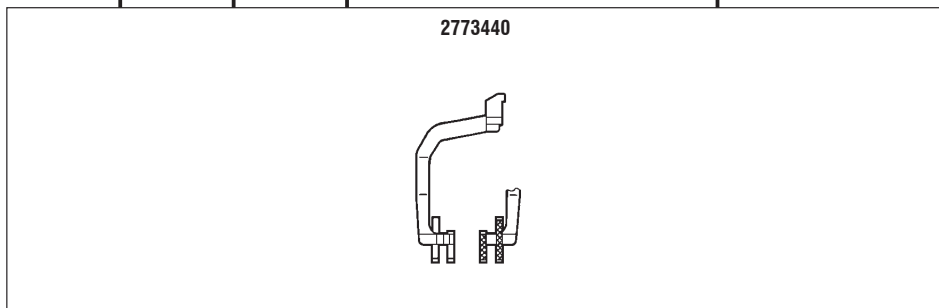
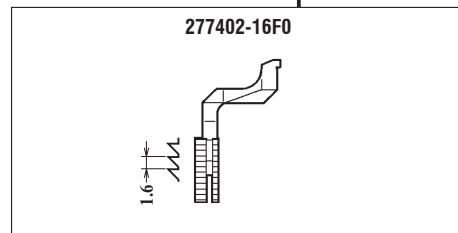
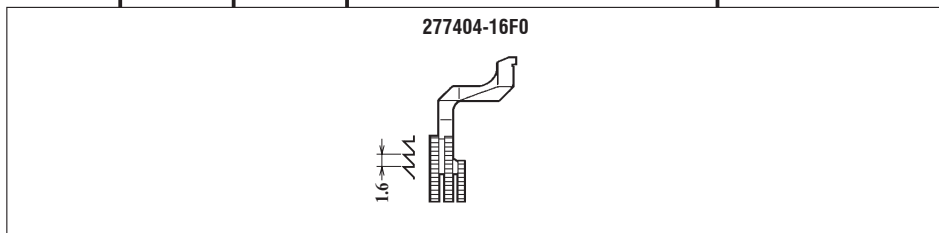
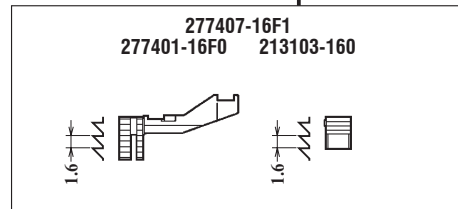
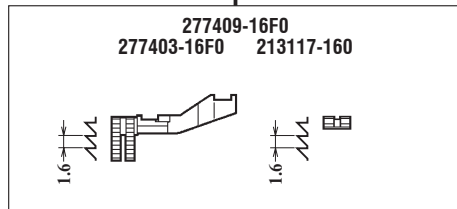
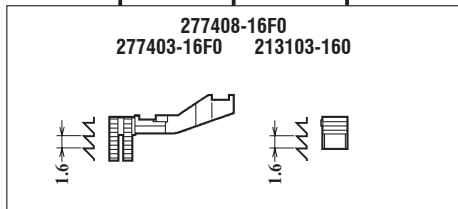
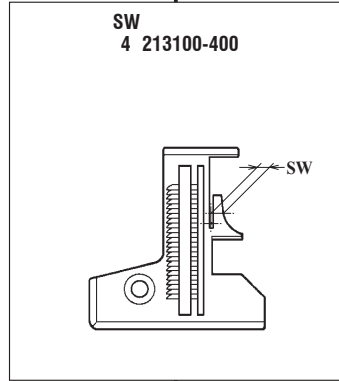
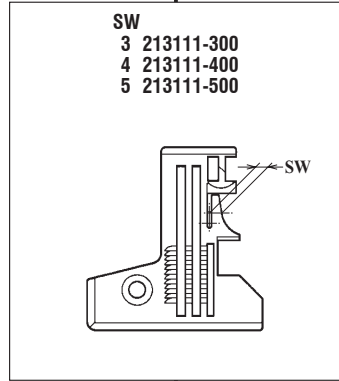
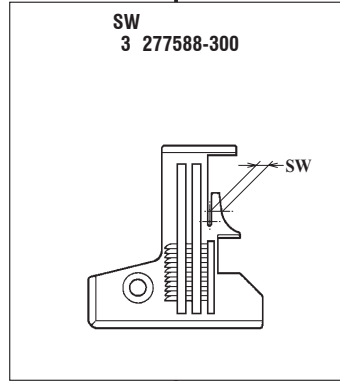
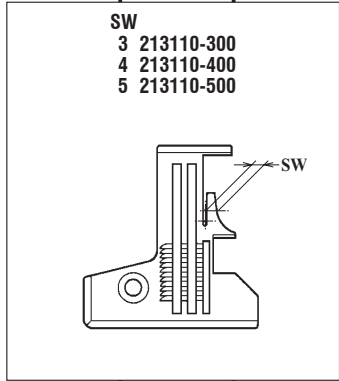
EXT5104-02/233N

EXT5104-04/433N

EXT5104T-02/233N

EXT5104-04/433

EXT5105-12/223N



EXT5104-02/233N

EXT5104-04/433

EXT5104-04/433N

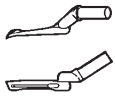
EXT5105-12/223N

EXT5104T-02/233N

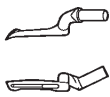
179630-920



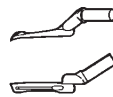
277062A0 #15



2770630 #19



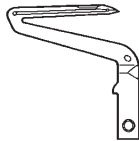
2770620 #15



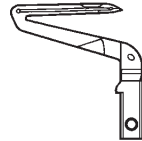
2770200 #21



2770600



2770210



SW  
3 213108A0



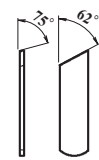
SW  
4 2131080  
5 2131080



SW  
4 2131080



SW  
3 213108A0



地縫用 (薄~中厚生地)  
PLAIN SEAMING  
(LIGHT~MEDIUM WEIGHT FABRIC)

地縫用 (厚~極厚生地)  
PLAIN SEAMING  
(HEAVY~EXTRA HEAVY WEIGHT FABRIC)

裾引用 (薄~中厚生地)  
BLINDSTITCH HEMMING  
(LIGHT~MEDIUM WEIGHT FABRIC)

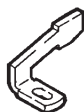
地縫用 (薄~中厚生地)  
PLAIN SEAMING  
(LIGHT~MEDIUM WEIGHT FABRIC)

EXT5100 Series  
共通部品 COMMON PARTS

上メス UPPER KNIFE  
201121A0



針受(前) NEEDLE GUARD(FRONT)  
2131070



針受(後) NEEDLE GUARD(REAR)  
2770610

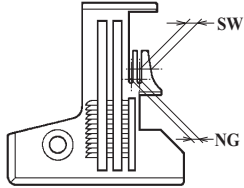


EXT5114-03/333N

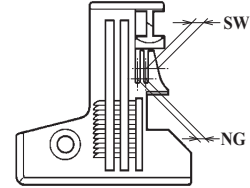
EXT5114-04/433N

EXT5114-04/433

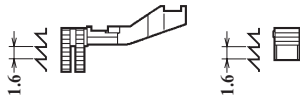
NG×SW  
 2×3 213112-300  
 2×4 213112-400  
 2×5 213112-500



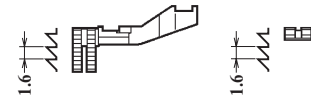
NG×SW  
 2×3 213113-300  
 2×4 213113-400  
 2×5 213113-500



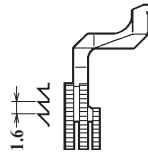
277408-16F0  
 277403-16F0 213103-160



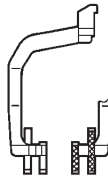
277409-16F0  
 277403-16F0 213117-160



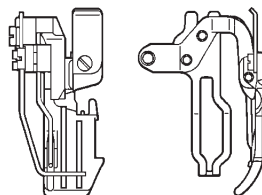
277404-16F0



2773440



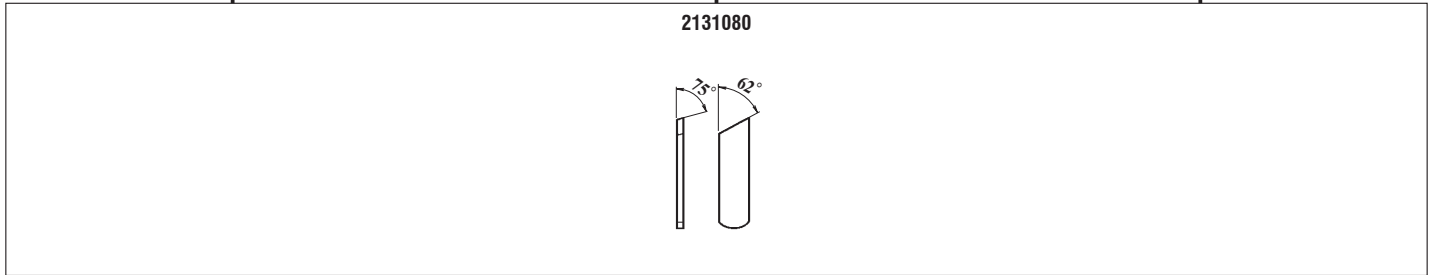
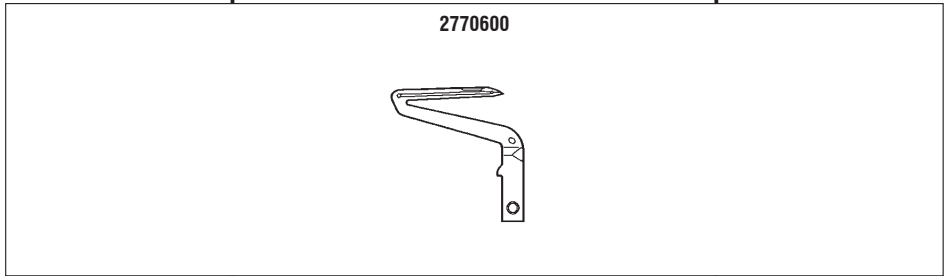
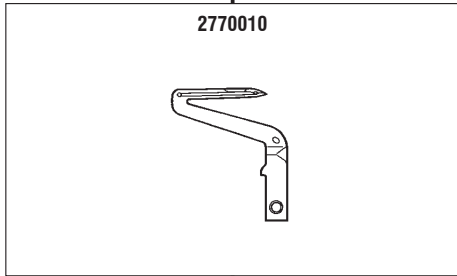
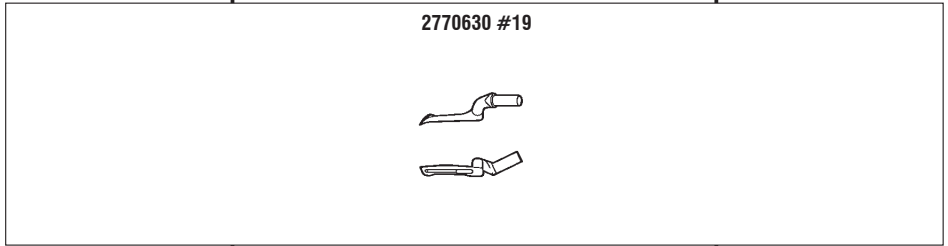
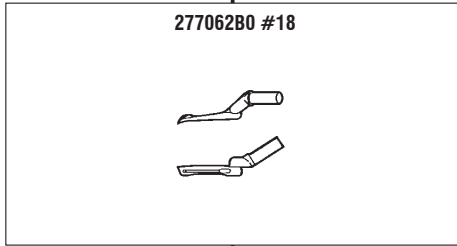
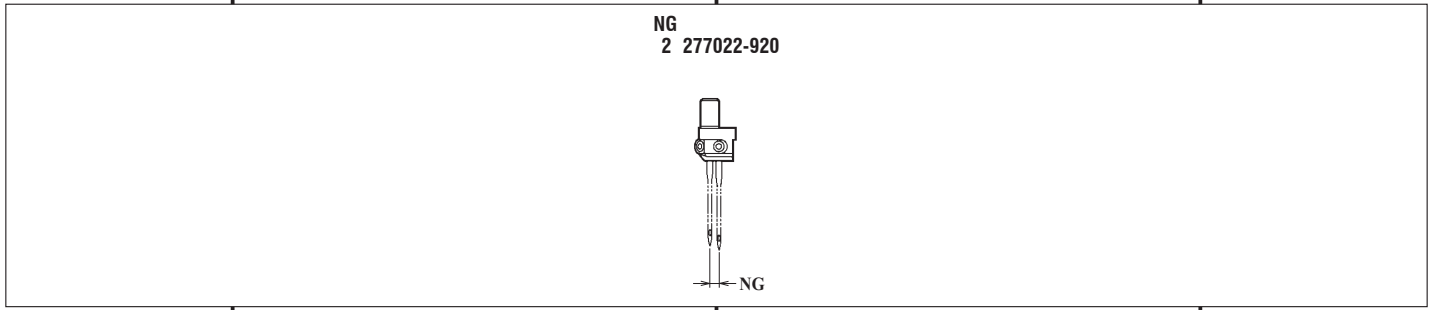
SW  
 3 277287A300  
 4 277287A400  
 5 277287A500



EXT5114-03/333N

EXT5114-04/433N

EXT5114-04/433



地縫用 (中厚~厚生地)  
PLAIN SEAMING  
(MEDIUM~HEAVY WEIGHT FABRIC)

地縫用 (厚~極厚生地)  
PLAIN SEAMING  
(HEAVY~EXTRA HEAVY WEIGHT FABRIC)

地縫用 (厚~極厚生地)  
PLAIN SEAMING  
(HEAVY~EXTRA HEAVY WEIGHT FABRIC)