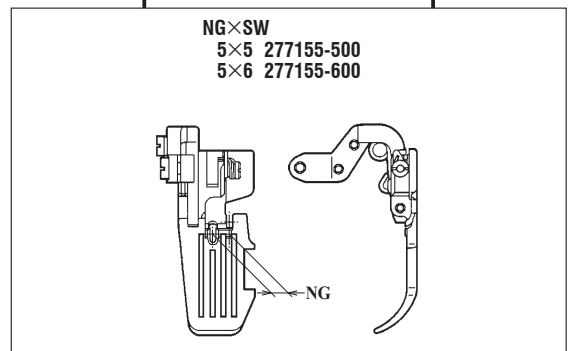
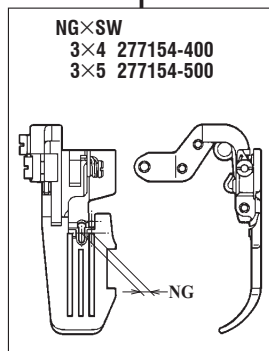
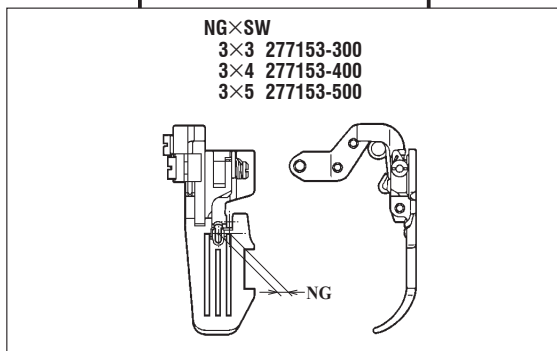
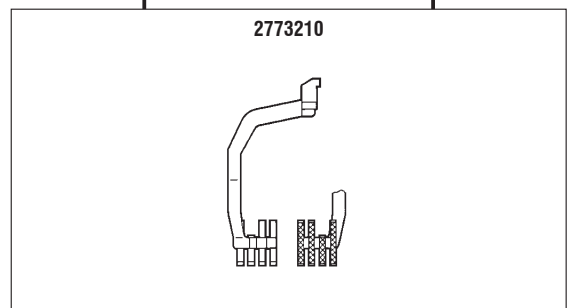
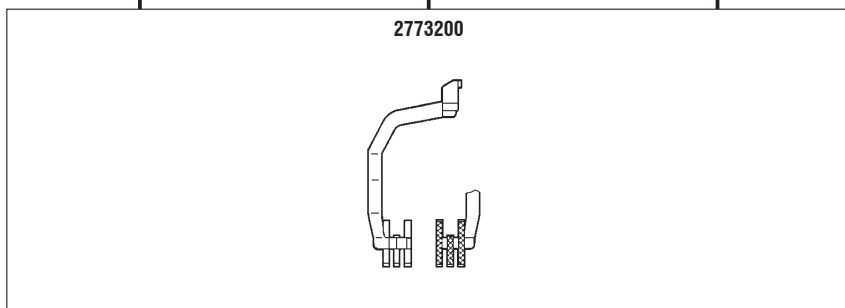
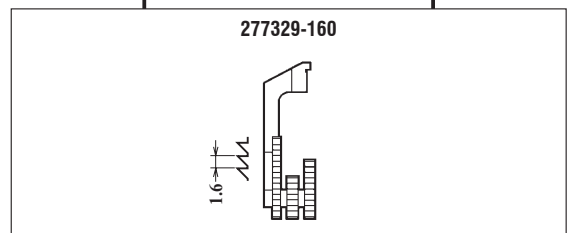
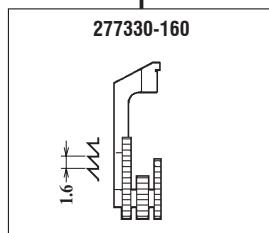
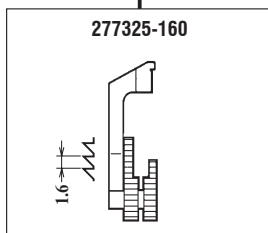
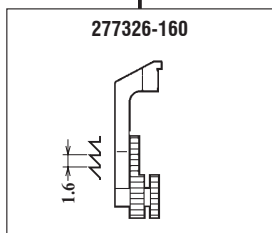
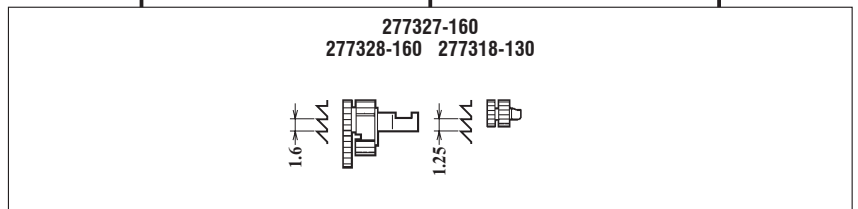
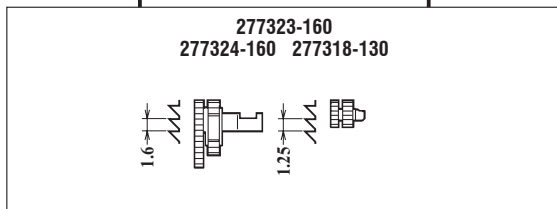
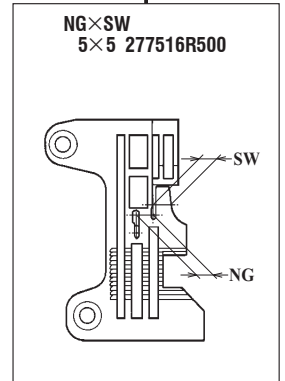
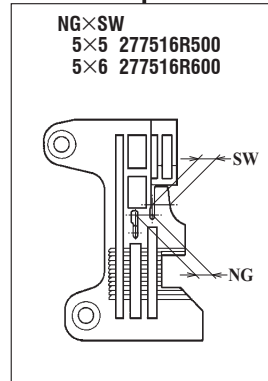
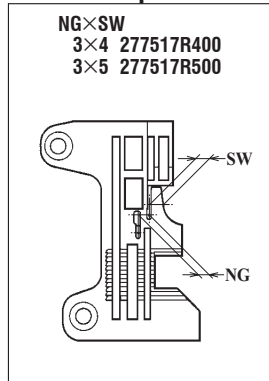
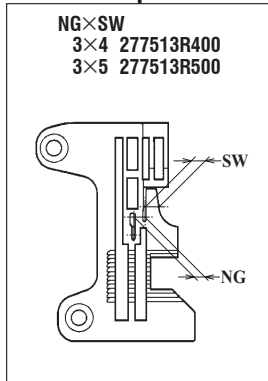
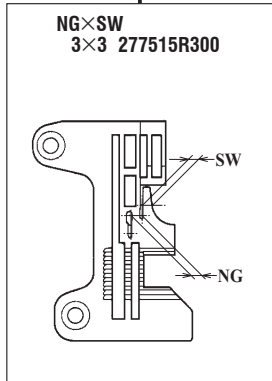


EXT3215
EXT3216-02/223(K)

EXT3215
EXT3216-03/233(K)

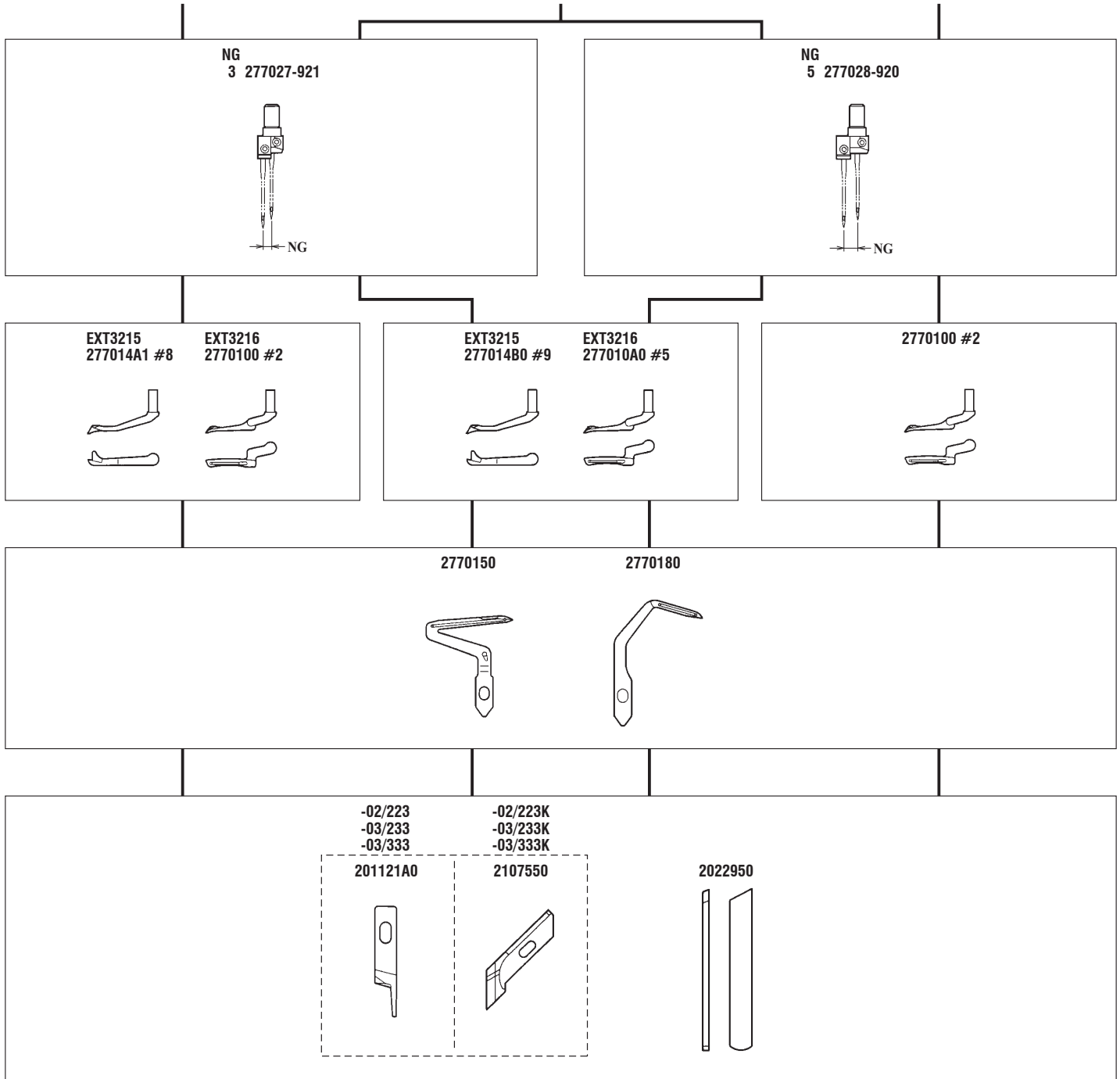
EXT3216-03/333(K)



EXT3215-02/223(K)
EXT3216

EXT3215-03/233(K)
EXT3216

EXT3216-03/333(K)



地縫用 (薄~中厚生地)
PLAIN SEAMING
(LIGHT~MEDIUM WEIGHT FABRIC)

地縫用 (中厚~厚生地)
PLAIN SEAMING
(MEDIUM~HEAVY WEIGHT FABRIC)

地縫用 (中厚~厚生地)
PLAIN SEAMING
(MEDIUM~HEAVY WEIGHT FABRIC)

EXT 3200 Series
共通部品 COMMON PARTS

オーバーロック針受 OVERLOCK NEEDLE GUARD

2770070



2770040

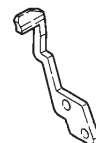


二重環針受 CHAINSTITCH NEEDLE GUARD

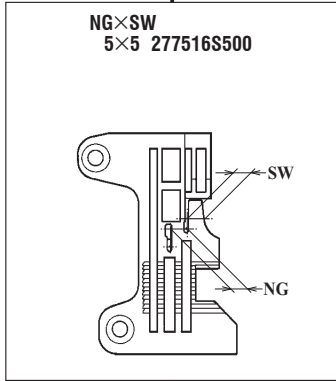
2770080



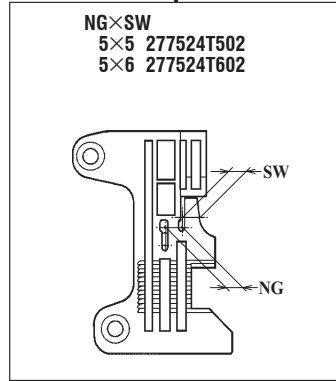
2770060



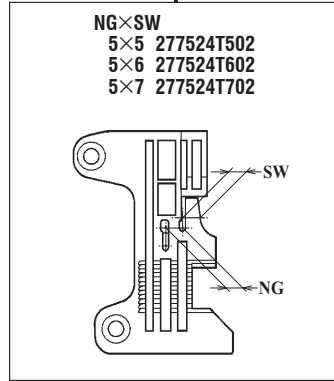
EXT3215
EXT3216-03/433(K)



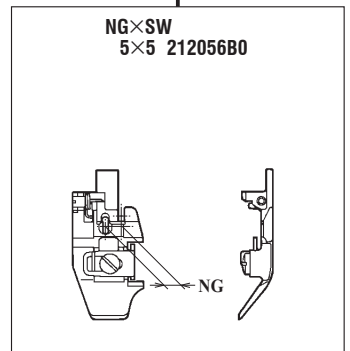
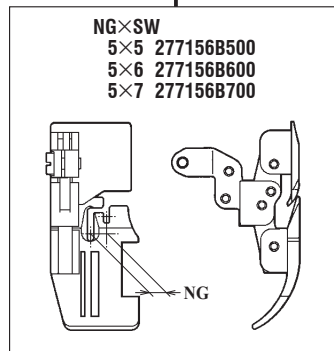
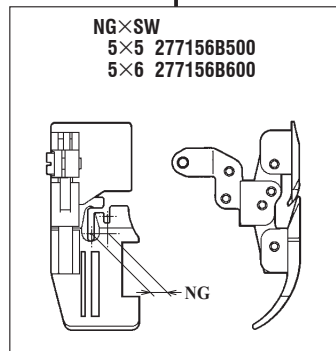
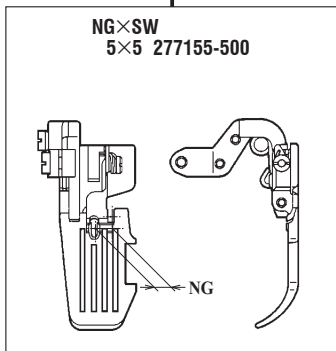
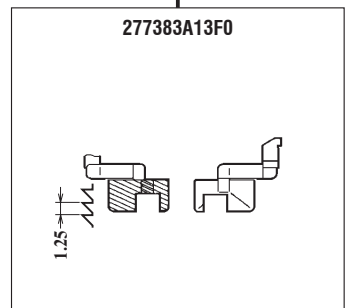
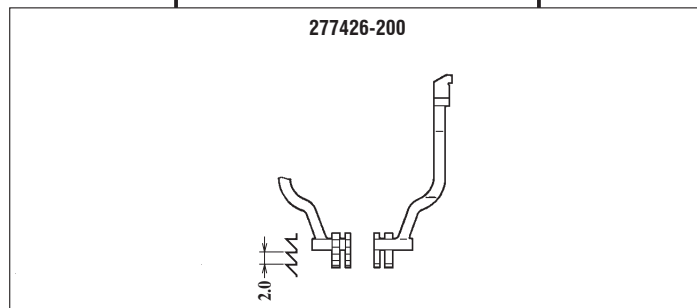
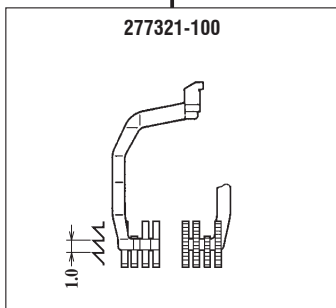
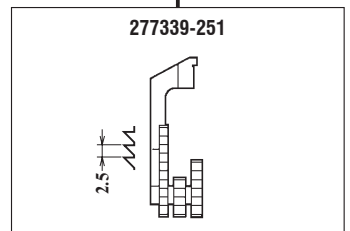
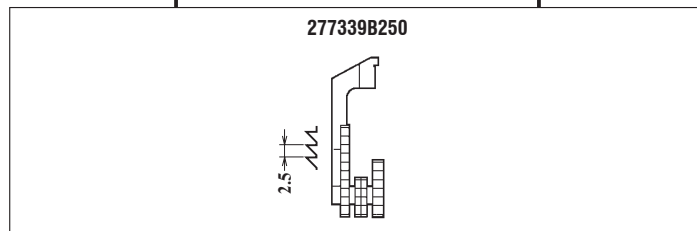
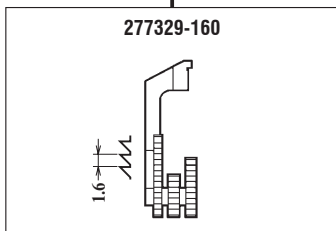
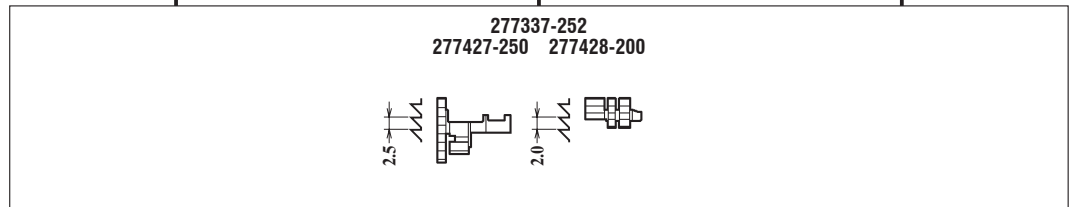
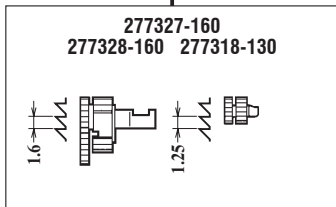
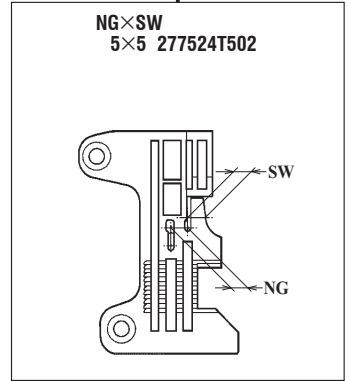
EXT3215
EXT3216-A04/435K



EXT3215H
EXT3216H-A05/535K



EXT3215
EXT3216-B-04/435(K)



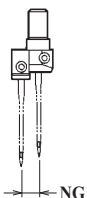
EXT3215
EXT3216-03/433(K)

EXT3215
EXT3216-A04/435K

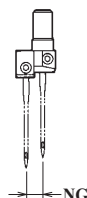
EXT3215
EXT3216-B-04/435(K)

EXT3215H
EXT3216H-A05/535K

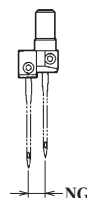
NG
5 277028-920



NG
5 277029-920



NG
5 277073-920



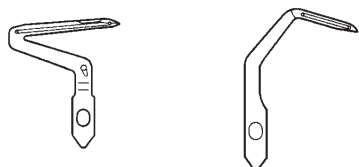
EXT3215
2770140 #1 EXT3216
2770110 #3



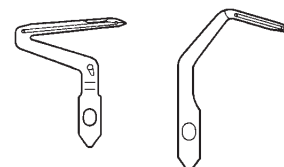
EXT3215
277014A1 #8 EXT3216
2770170 #11



2770150 277018-C0

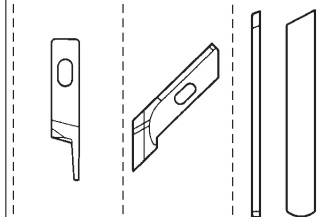


277015A0 277018-C0

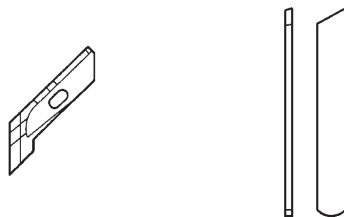


-03/433 -03/433K

201121A0 2107550 2022950

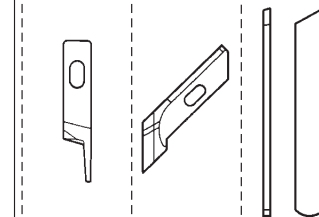


2116621 2770091



-B-04/435 -B-04/435K

201121A0 2107550 2770091



地縫用 (中厚~厚生地)
PLAIN SEAMING
(MEDIUM~HEAVY WEIGHT FABRIC)

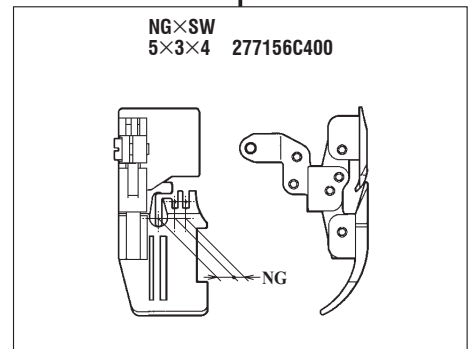
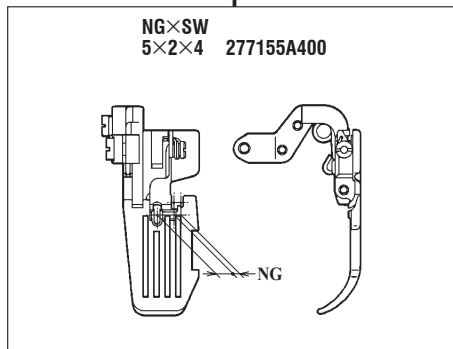
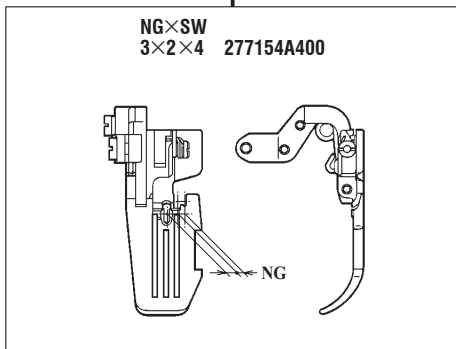
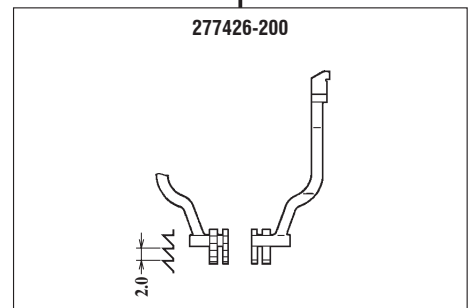
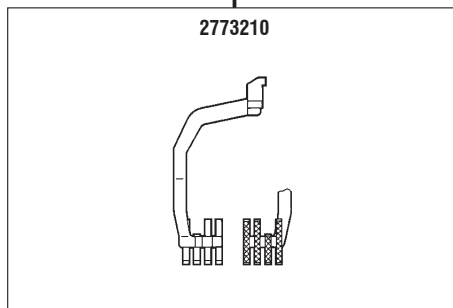
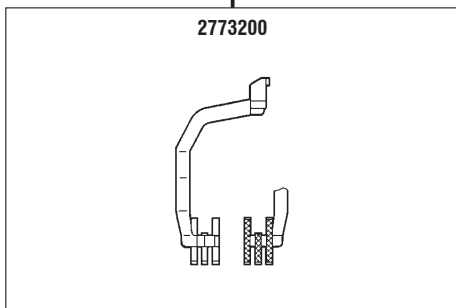
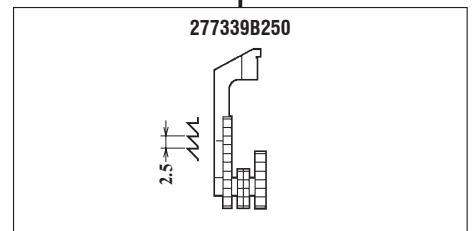
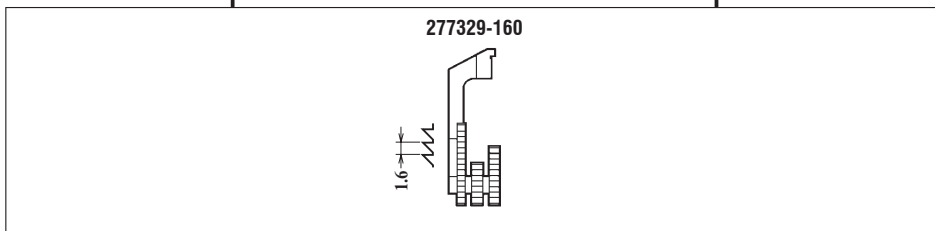
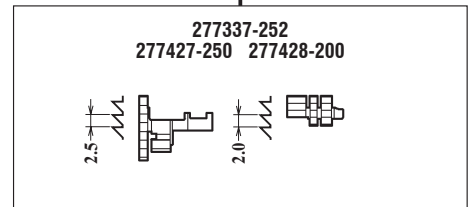
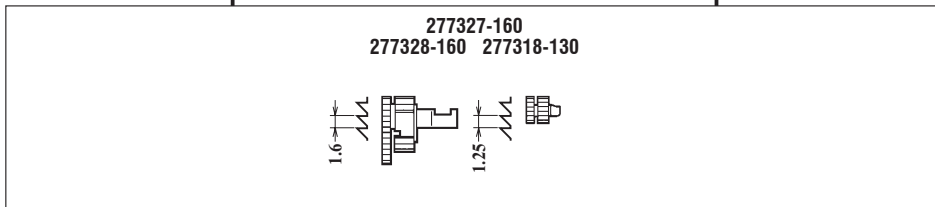
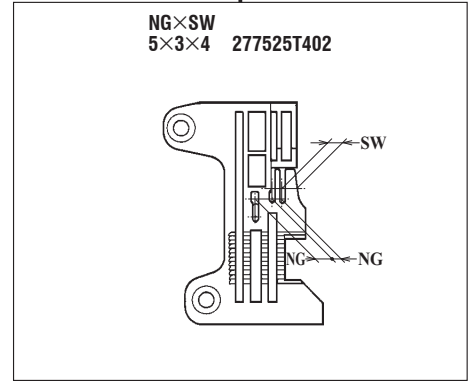
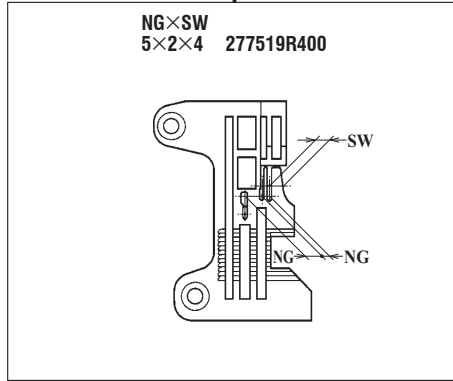
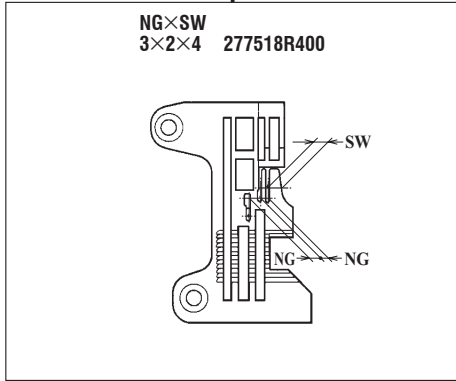
地縫用 (厚~極厚生地)
PLAIN SEAMING
(HEAVY~EXTRA HEAVY WEIGHT FABRIC)

地縫用 (極厚生地)
PLAIN SEAMING
(EXTRA HEAVY WEIGHT FABRIC)

地縫用 (厚~極厚生地)
PLAIN SEAMING
(HEAVY~EXTRA HEAVY WEIGHT FABRIC)

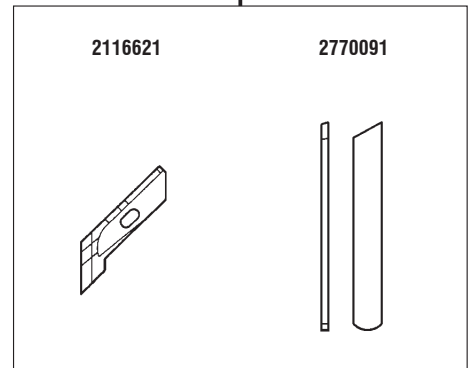
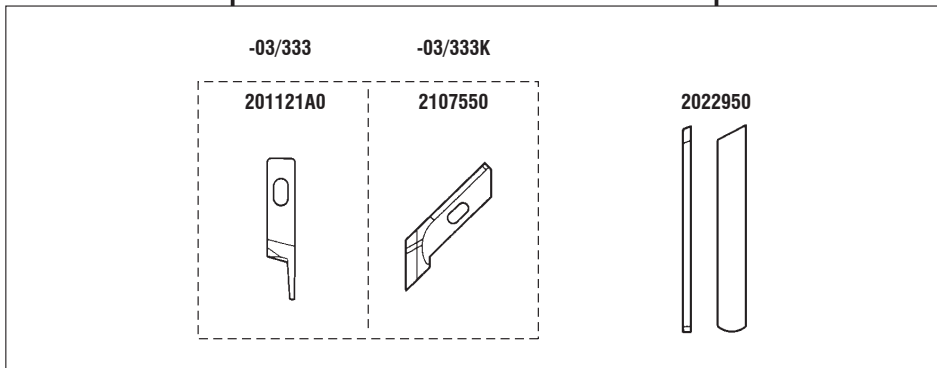
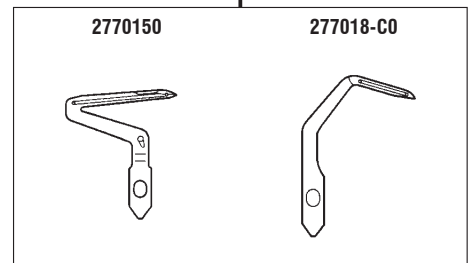
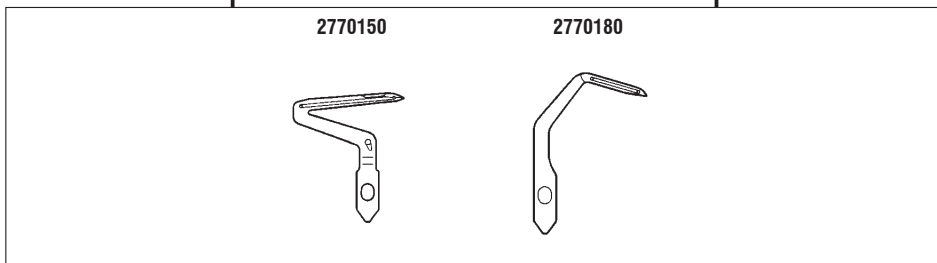
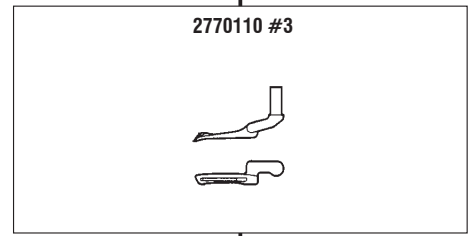
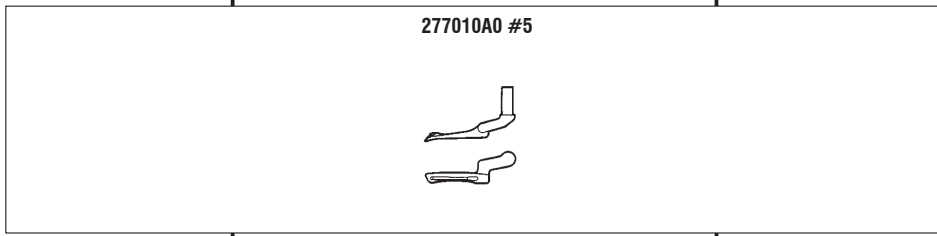
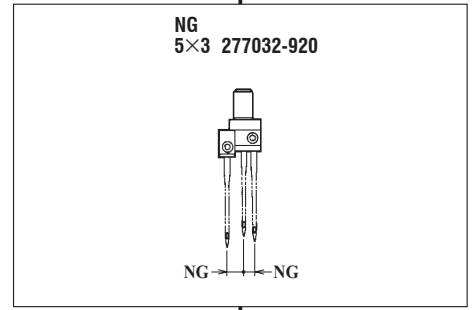
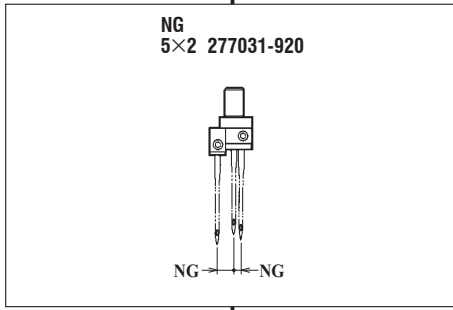
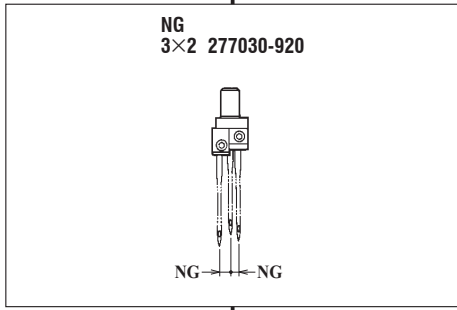
EXT3244-03/333(K)

EXT3244-A04/435K



EXT3244-03/333(K)

EXT3244-A04/435K

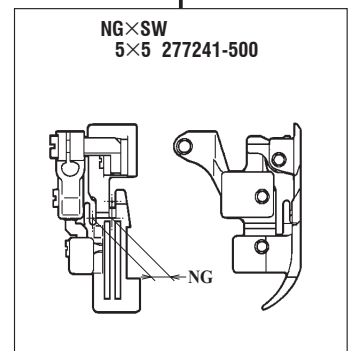
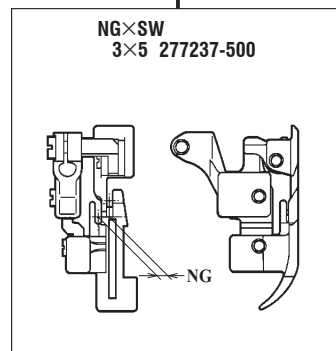
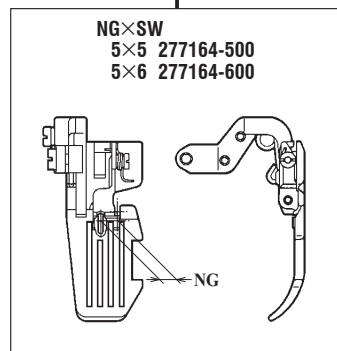
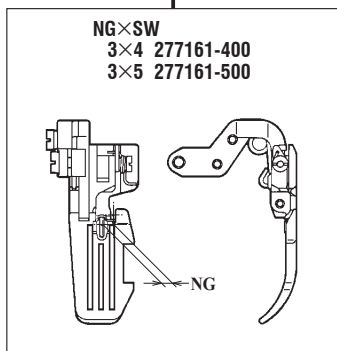
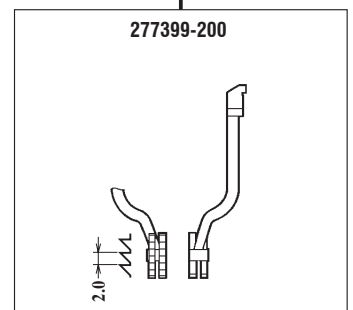
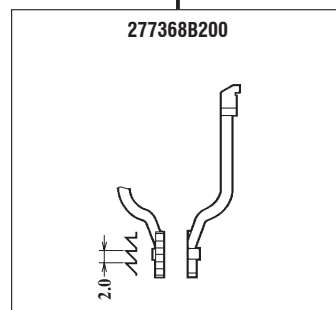
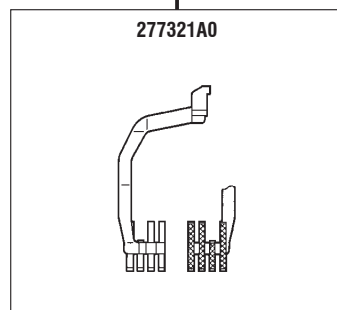
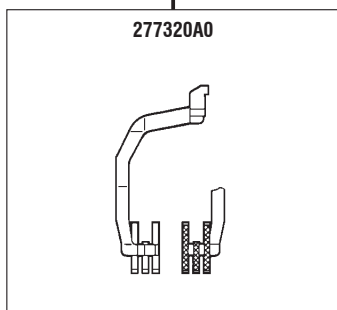
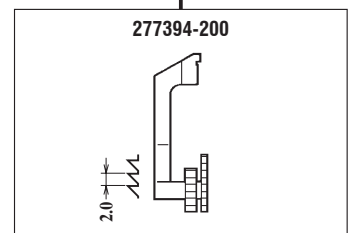
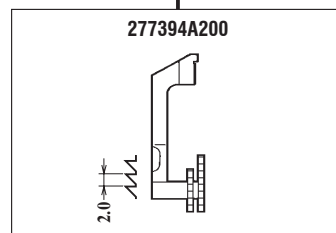
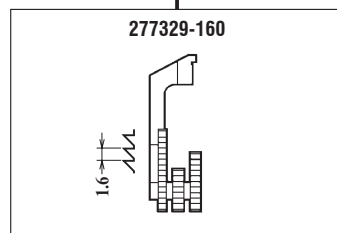
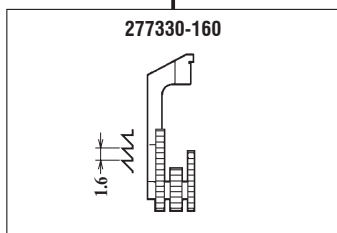
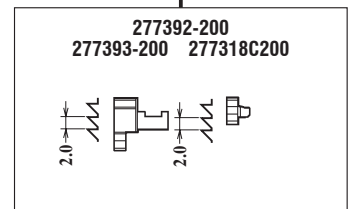
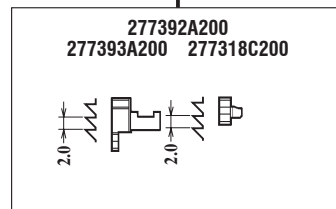
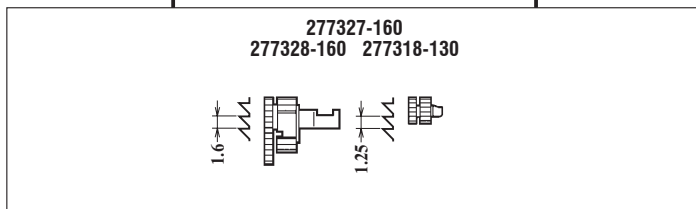
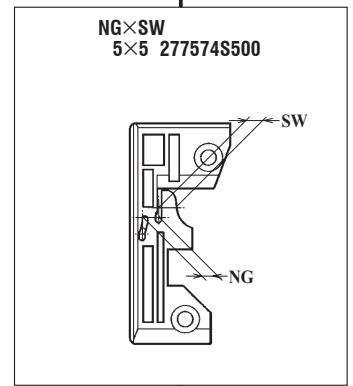
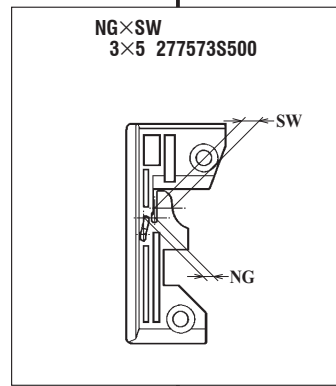
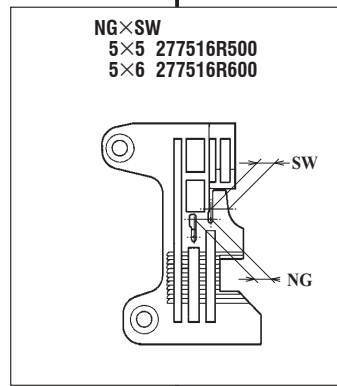
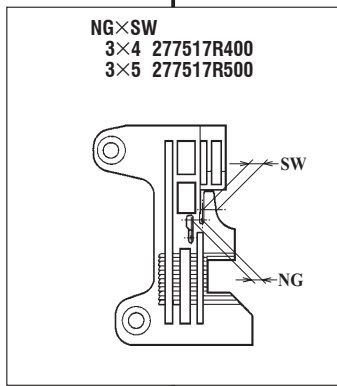


地縫用 (中厚~厚生地)
PLAIN SEAMING
(MEDIUM~HEAVY WEIGHT FABRIC)

地縫用 (厚~極厚生地)
PLAIN SEAMING
(HEAVY~EXTRA HEAVY WEIGHT FABRIC)

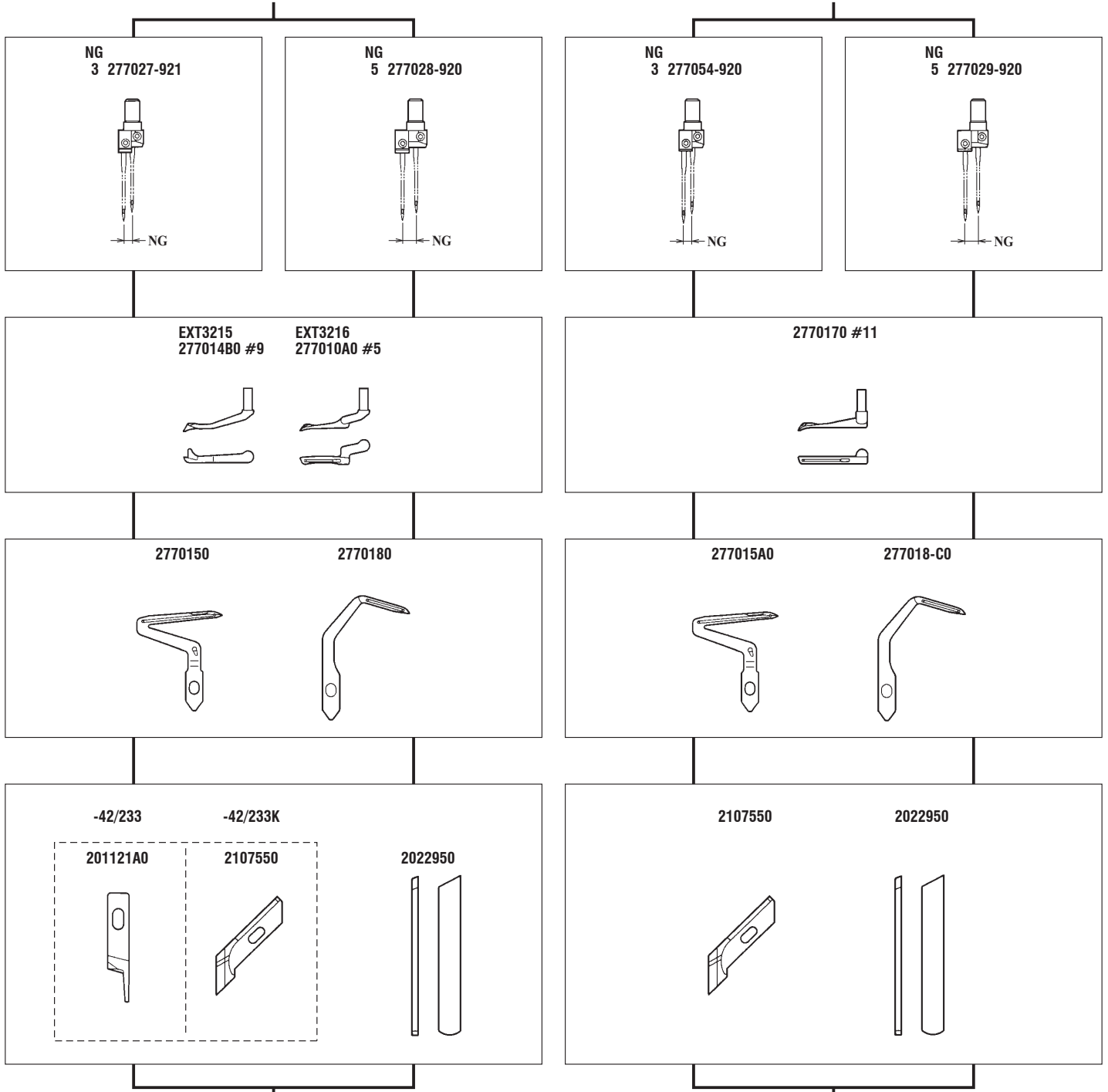
EXT3215
EXT3216-42/233(K)

EXT3216H-45P1/574K



EXT3215-42/233(K)
EXT3216

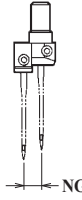
EXT3216H-45P1/574K



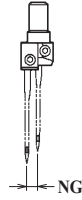
NG
3 277027-921



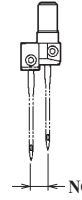
NG
5 277028-920



NG
3 277054-920



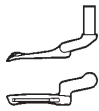
NG
5 277029-920



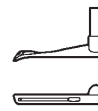
EXT3215
277014B0 #9



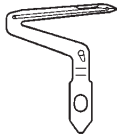
EXT3216
277010A0 #5



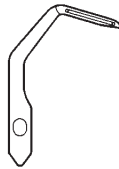
2770170 #11



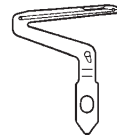
2770150



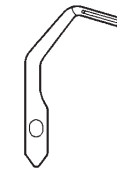
2770180



277015A0



277018-C0



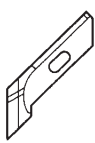
-42/233

201121A0



-42/233K

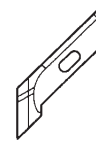
2107550



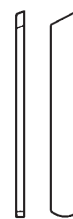
2022950



2107550



2022950

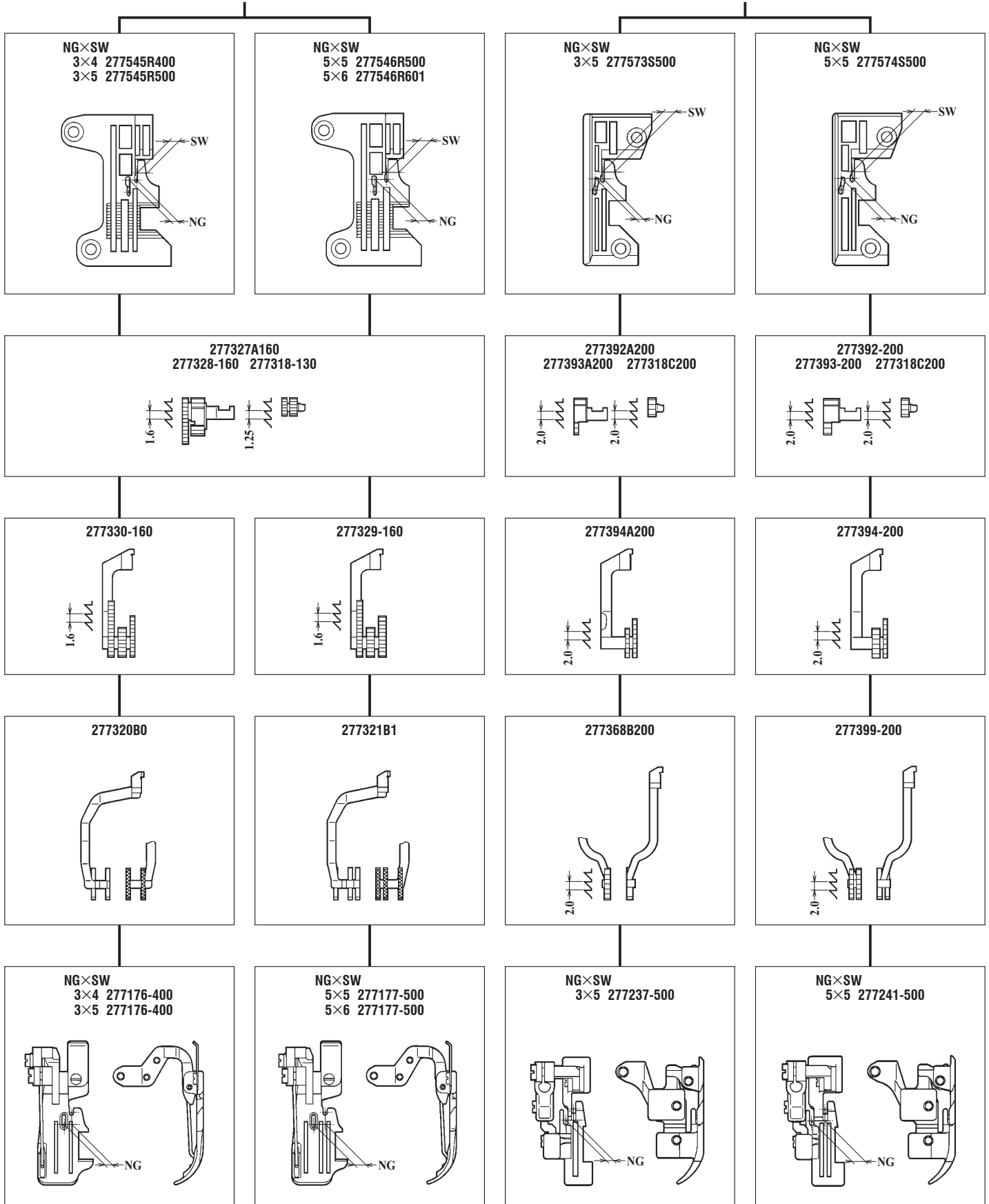


ヒダ取り用(薄~中厚生地)
SHIRRING
(LIGHT~MEDIUM WEIGHT FABRIC)

ヒダ取り・パイピング用(極厚生地)
SHIRRING, PIPING
(EXTRA HEAVY WEIGHT FABRIC)

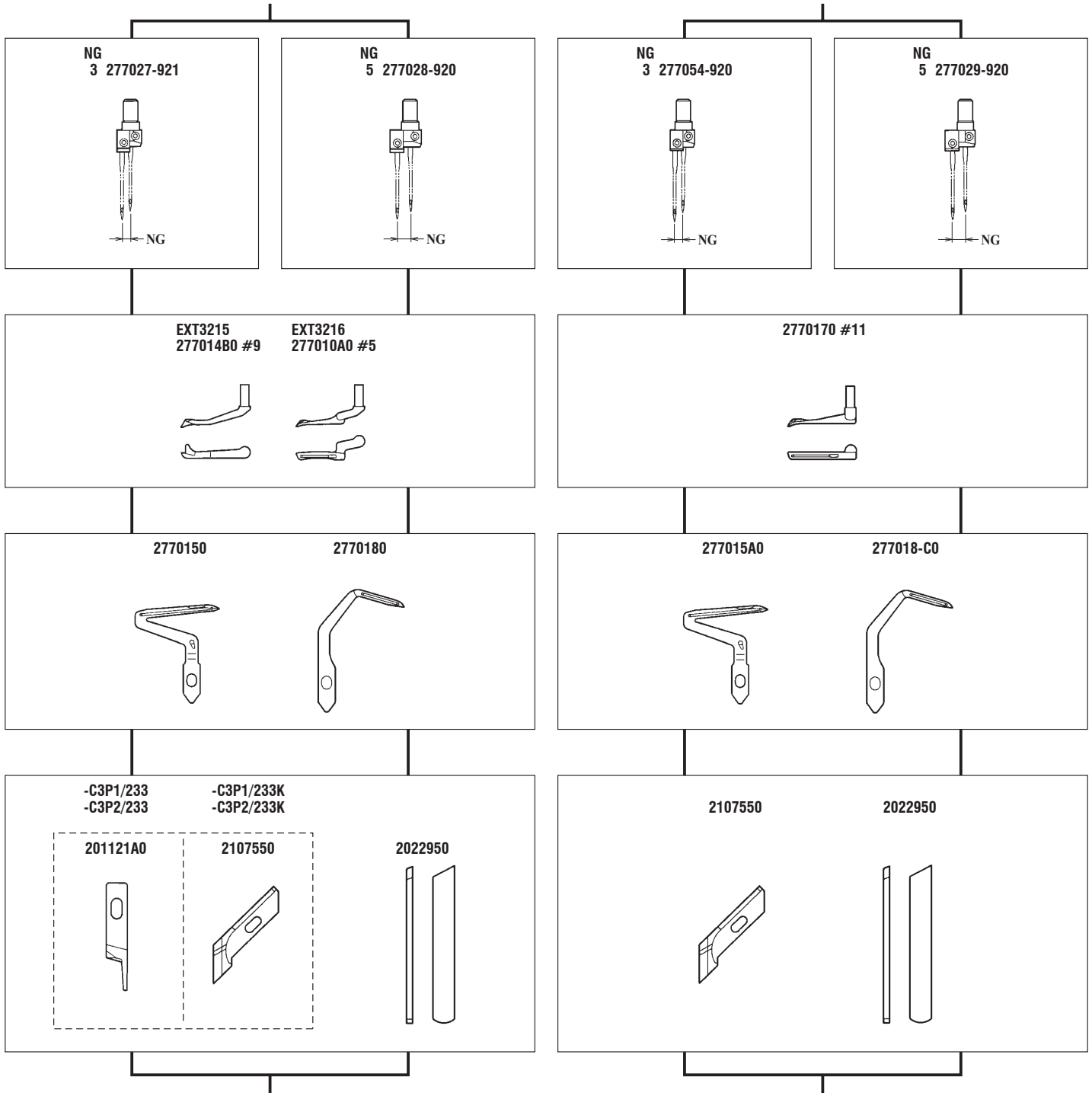
EXT3215- C3P1/233(K)
 EXT3216- C3P1/233(K)
 EXT3215- C3P2/233(K)
 EXT3216- C3P2/233(K)

EXT3216H-C5P1/574K



EXT3215- C3P1/233(K)
 EXT3216- C3P1/233(K)
 EXT3215- C3P2/233(K)
 EXT3216- C3P2/233(K)

EXT3216H-C5P1/574K



パイピング用(中厚~厚生地)
 PIPING
 (MEDIUM~HEAVY WEIGHT FABRIC)

パイピング用(極厚生地)
 PIPING
 (EXTRA HEAVY WEIGHT FABRIC)