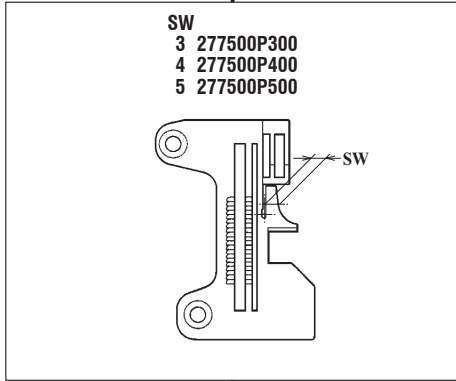
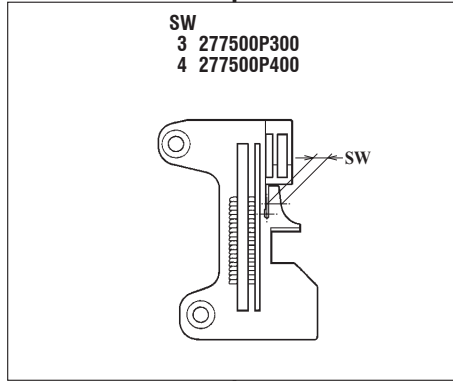


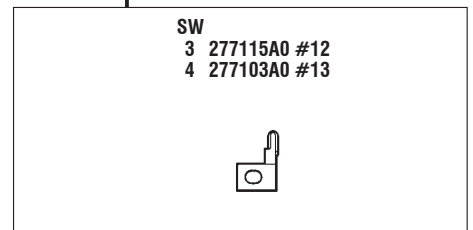
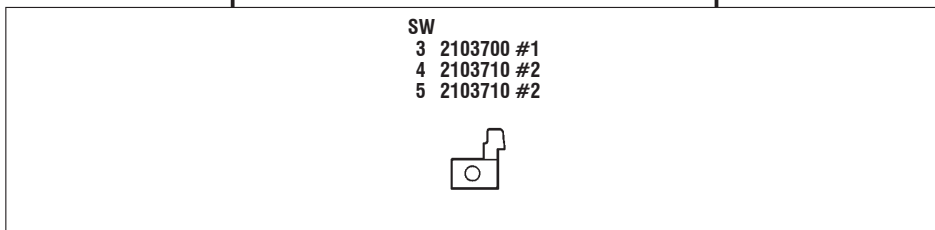
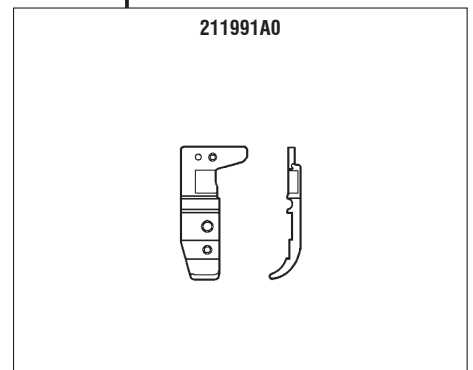
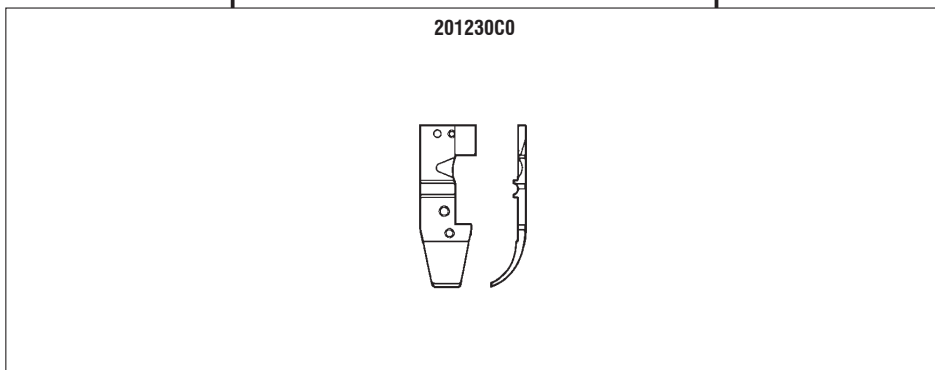
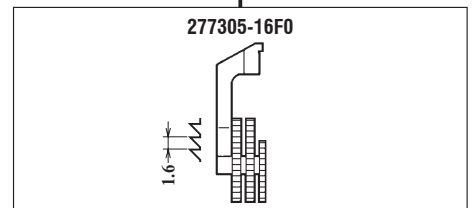
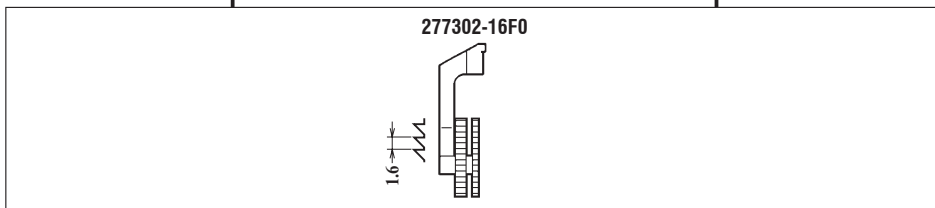
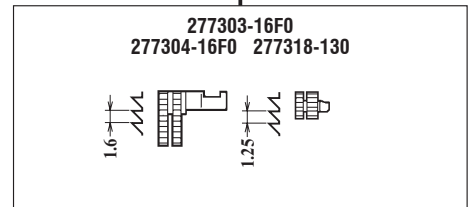
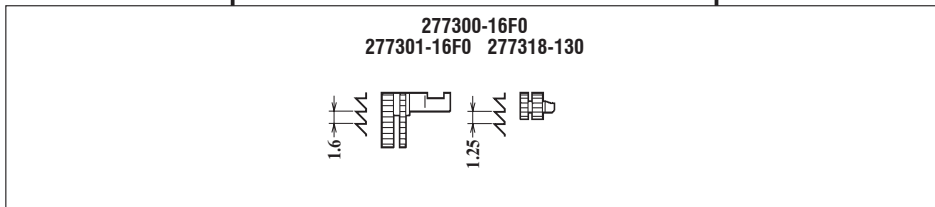
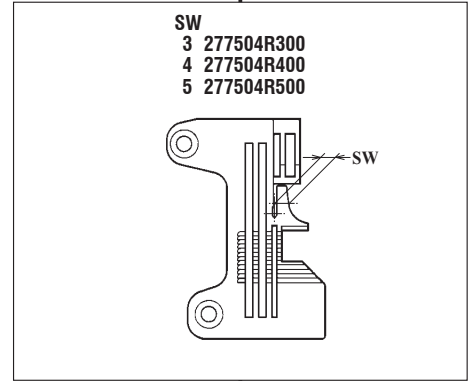
EX5204-01/223(K)



EX5204-02H/223(K)



EX5204-02/233(K)



EX5204-01/223(K)

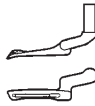
EX5204-02H/223(K)

EX5204-02/233(K)

179630-920



2770100 #2



2770150



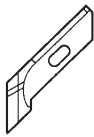
-01/223
-02H/223

-01/223K
-02H/223K

201121A0

2107550

2022950



-02/233

-02/233K

SW

3

2011270

SW

4

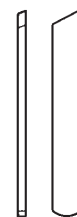
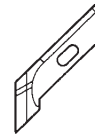
2022950

5

2022950

201121A0

2107550



地縫用 (極薄~薄生地)
PLAIN SEAMING
(EXTRA LIGHT~LIGHT WEIGHT FABRIC)

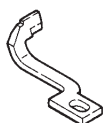
裾引用 (薄~中厚生地)
BLINDSTITCH HEMMING
(LIGHT~MEDIUM WEIGHT FABRIC)

地縫用 (薄~中厚生地)
PLAIN SEAMING
(LIGHT~MEDIUM WEIGHT FABRIC)

EX5200 Series
共通部品 COMMON PARTS

針受 NEEDLE GUARD

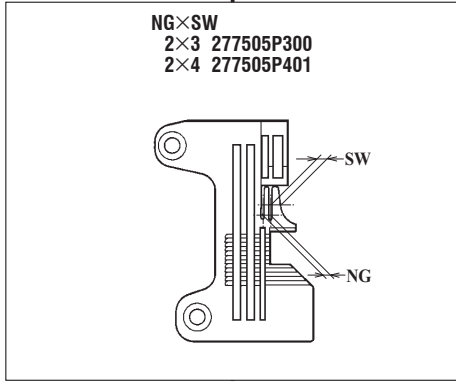
2770050



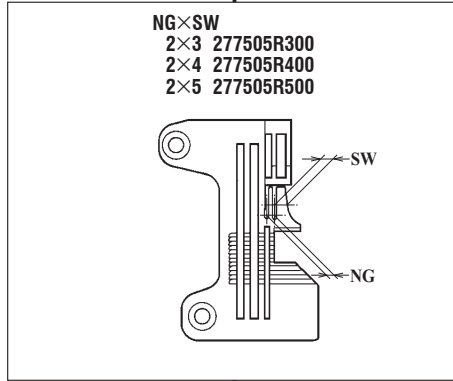
2770040



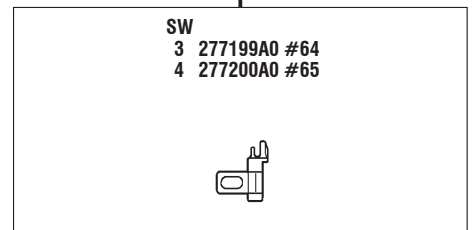
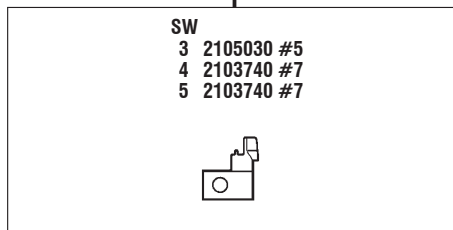
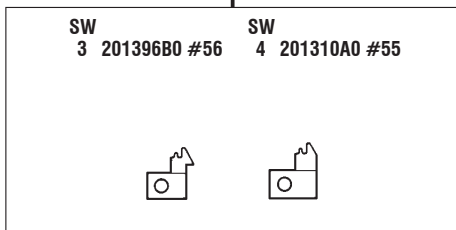
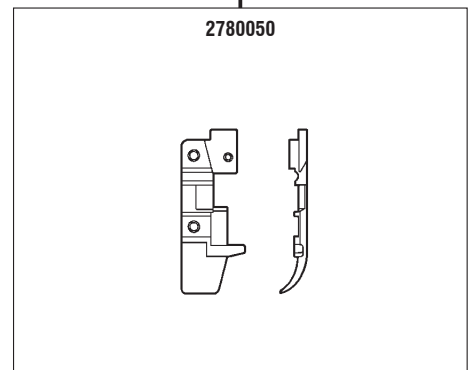
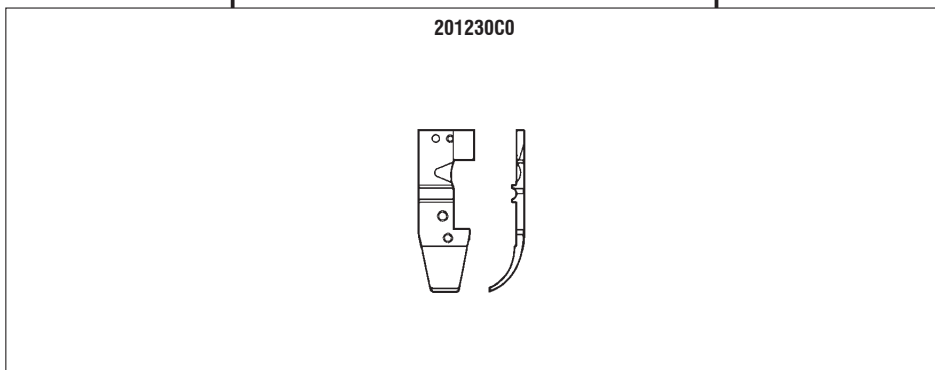
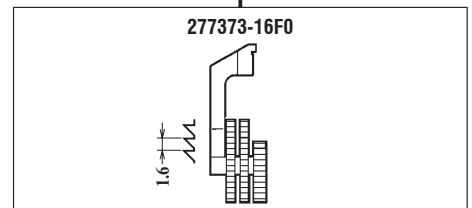
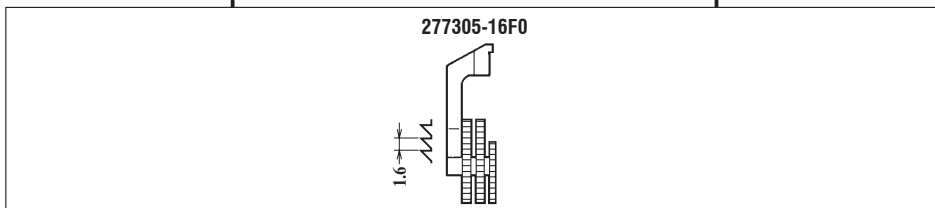
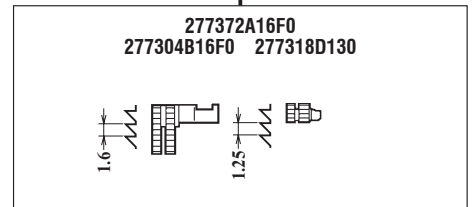
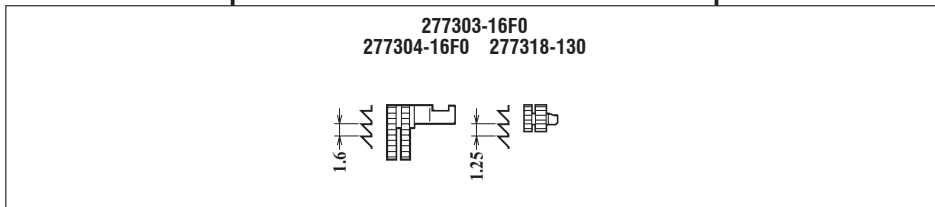
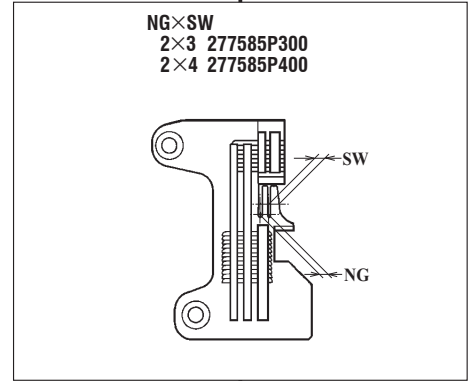
EX5214-01/233(K)



EX5212-02/333(K)



EX5214N-01/283(K)
EX5214N-01U/283(K)

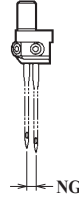


EX5214-01/233(K)

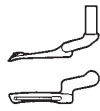
EX5212-02/333(K)

EX5214N-01/283(K)
EX5214N-01U/283(K)

NG
2 277022-920



277010B0 #6



2770130 #7



2770150



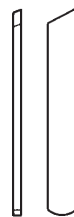
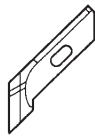
-01/233
-02/333

-01/233K
-02/333K

201121A0

2107550

2022950



-01/283
-01U/283

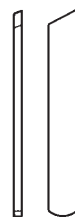
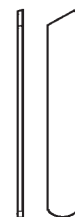
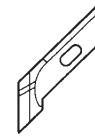
-01/283K
-01U/283K

SW
3 2011270

SW
4 2022950

201121A0

2107550



地縫用 (極薄~薄生地)
PLAIN SEAMING
(EXTRA LIGHT~LIGHT WEIGHT FABRIC)

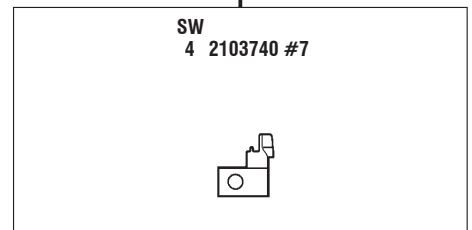
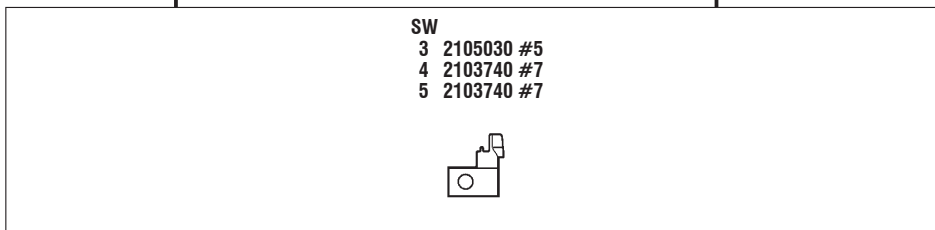
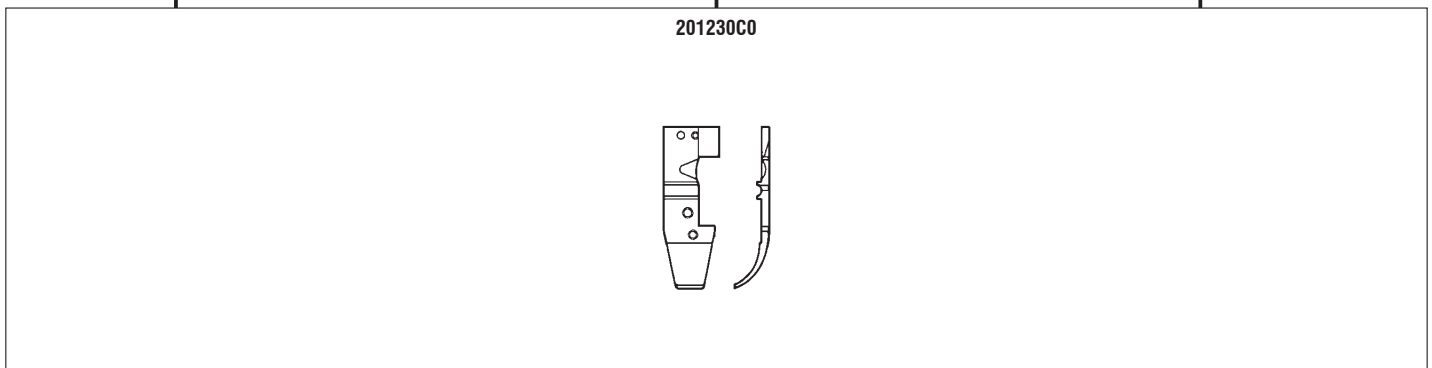
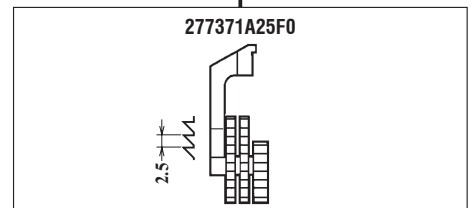
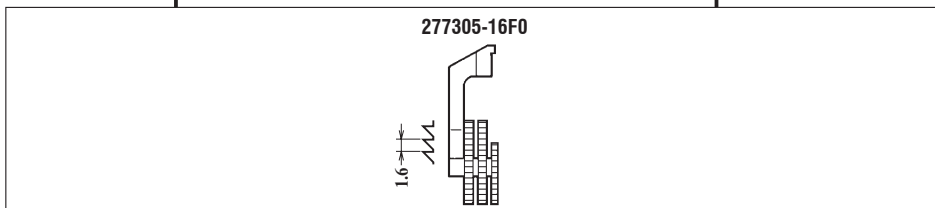
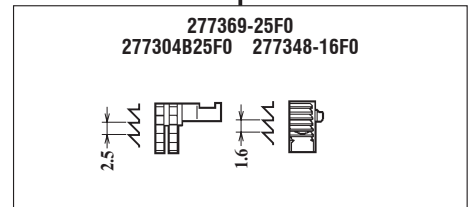
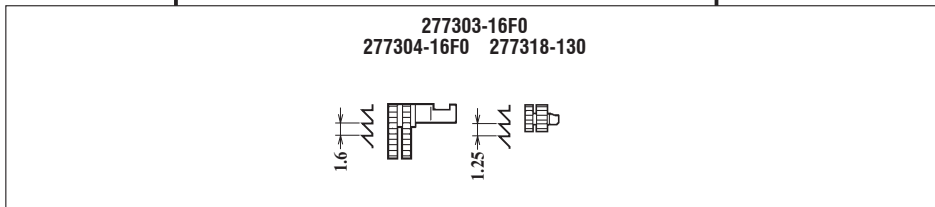
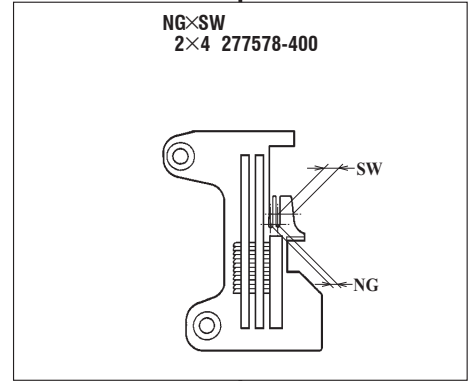
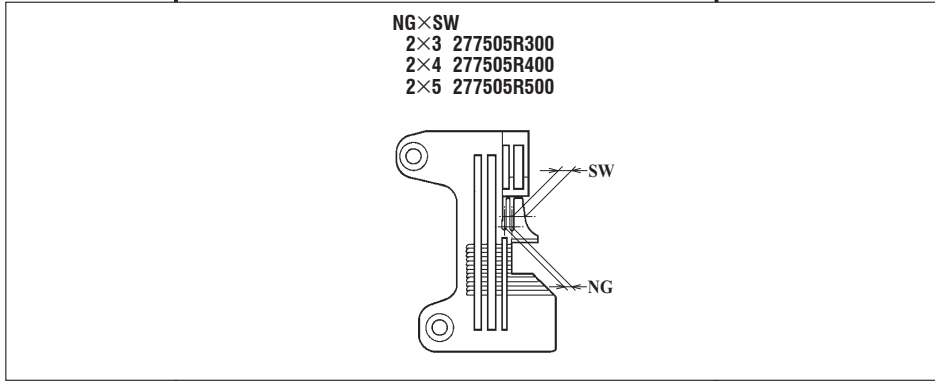
地縫用 (薄~中厚生地)
PLAIN SEAMING
(LIGHT~MEDIUM WEIGHT FABRIC)

地縫用 (極薄~薄生地)
PLAIN SEAMING
(EXTRA LIGHT~LIGHT WEIGHT FABRIC)

EX5214-03/333(K)

EX5214-M03/333(K)

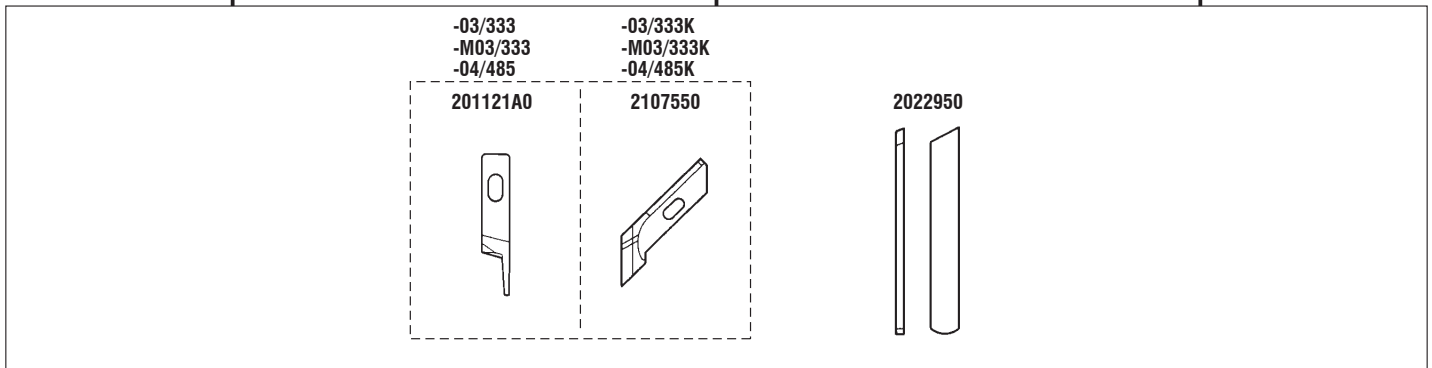
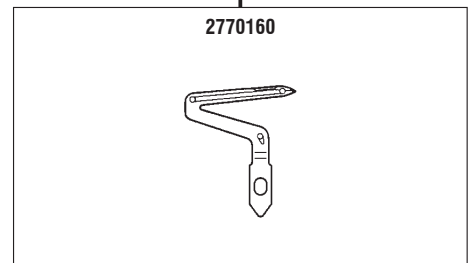
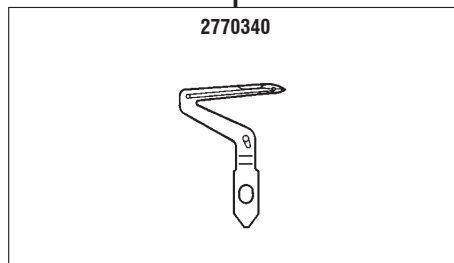
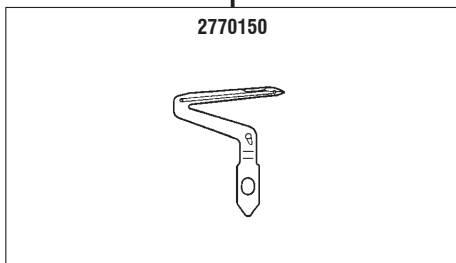
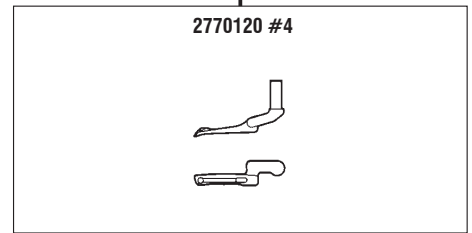
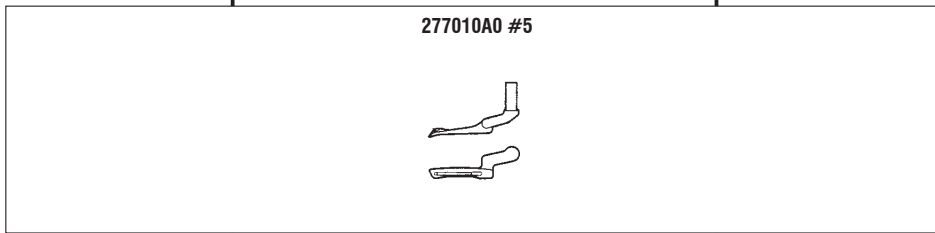
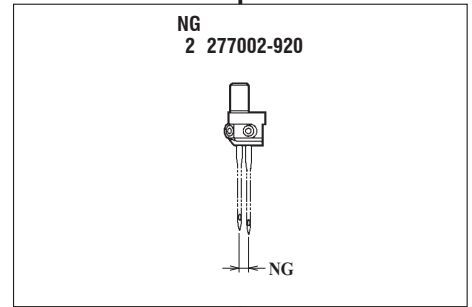
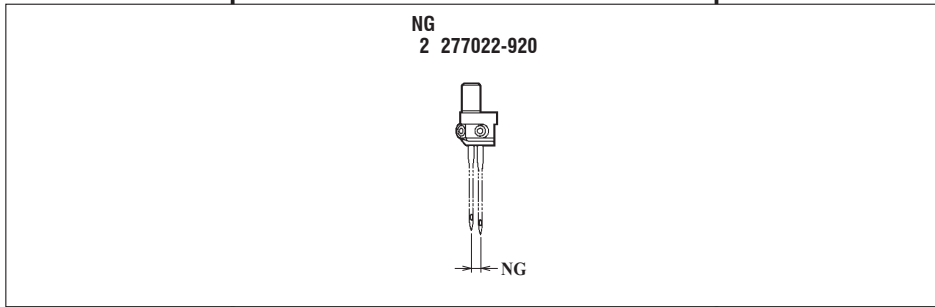
EX5214-04/485(K)



EX5214-03/333(K)

EX5214-M03/333(K)

EX5214-04/485(K)

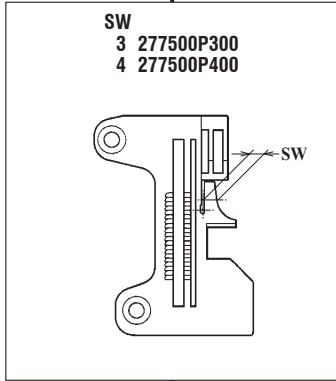


地縫用 (中厚~厚生地)
PLAIN SEAMING
(MEDIUM~HEAVY WEIGHT FABRIC)

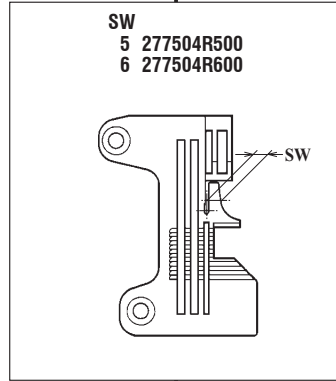
地縫用 (中厚~厚生地)
PLAIN SEAMING
(MEDIUM~HEAVY WEIGHT FABRIC)

地縫用 (厚~極厚生地)
PLAIN SEAMING
(HEAVY~EXTRA HEAVY WEIGHT FABRIC)

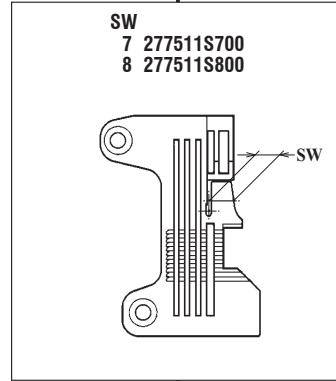
EX5205-12/223(K)
EX5205-12Z1/223(K)
EX5203-12/223(K)



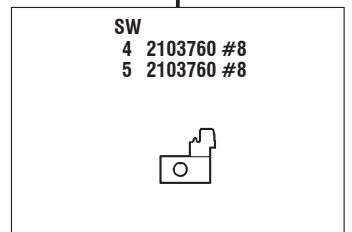
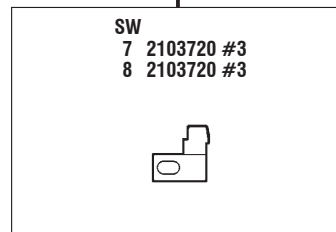
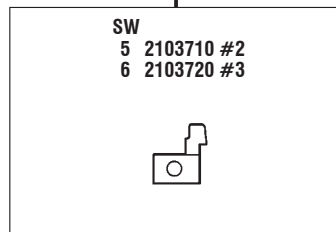
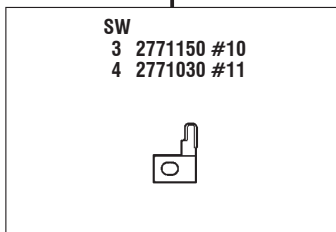
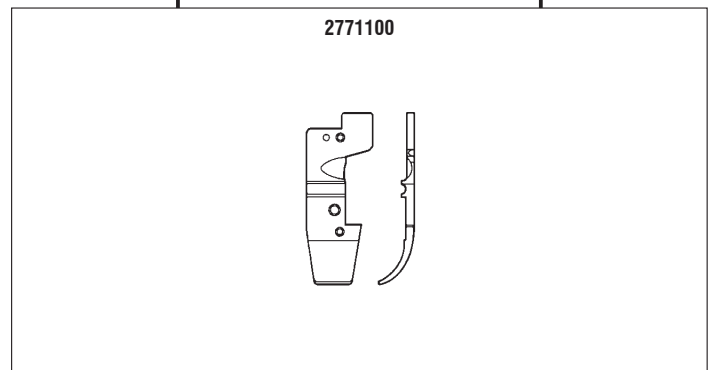
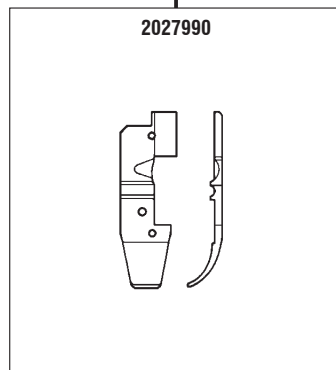
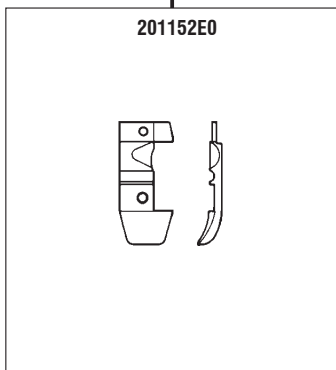
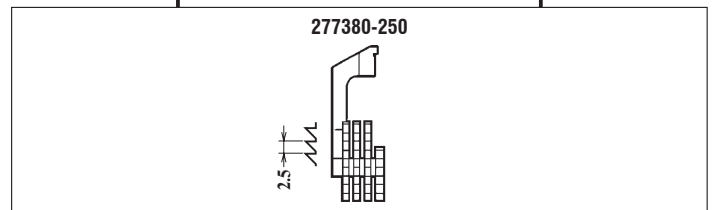
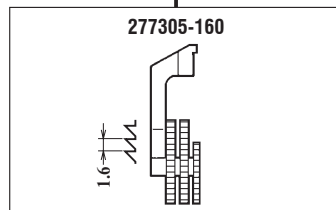
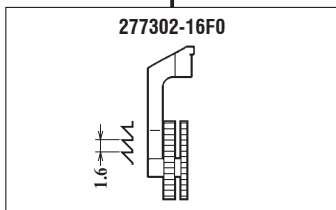
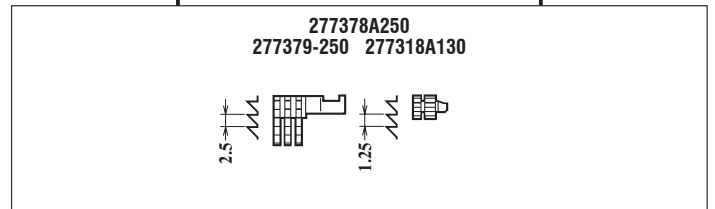
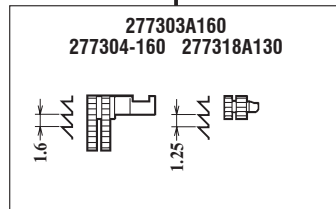
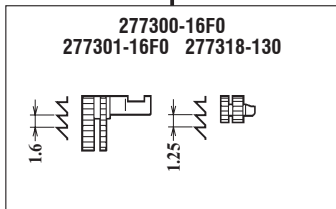
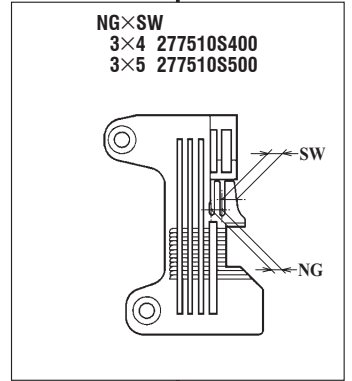
EX5203-22/233(K)



EX5204-24/445(K)



EX5214-24/445(K)



EX5205-12/223(K)
EX5205-12Z1/223(K)
EX5203-12/223(K)

EX5203-22/233(K)

EX5204-24/445(K)

EX5214-24/445(K)

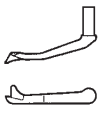
179630-920



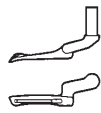
NG
3 277024-920



EX5203
277014A1 #8



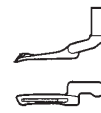
EX5205
2770100 #2



27701480 #9



2770110 #3



2770150



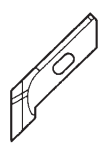
-12/223
-12Z1/223
-22/233

201121A0



-12/223K
-12Z1/223K
-22/233K

2107550



2022950

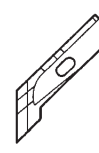


-24/445 -24/445K

2770000



2116621



2770091

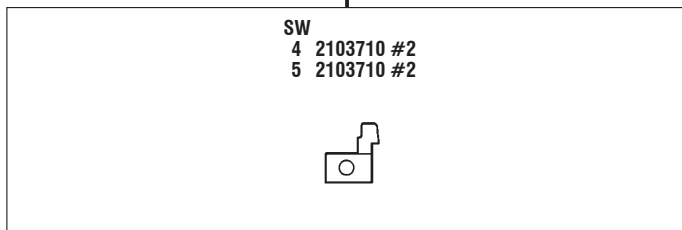
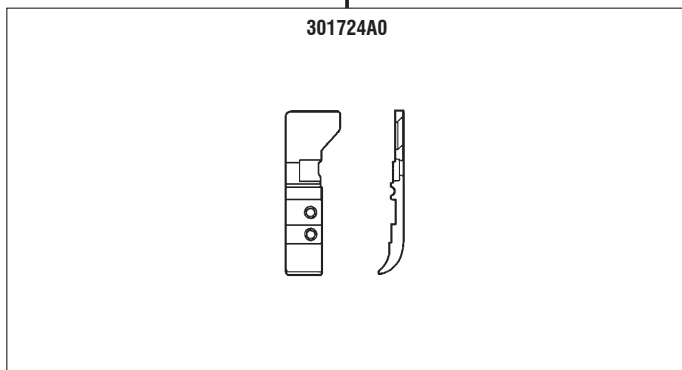
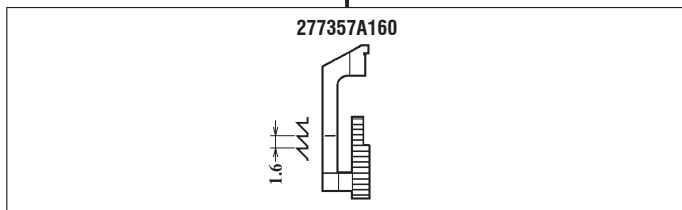
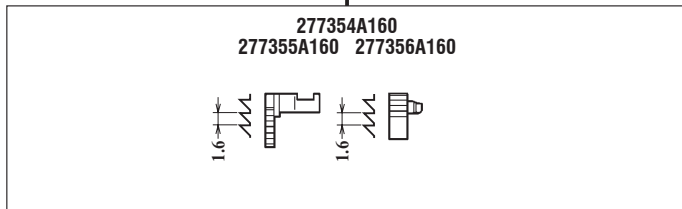
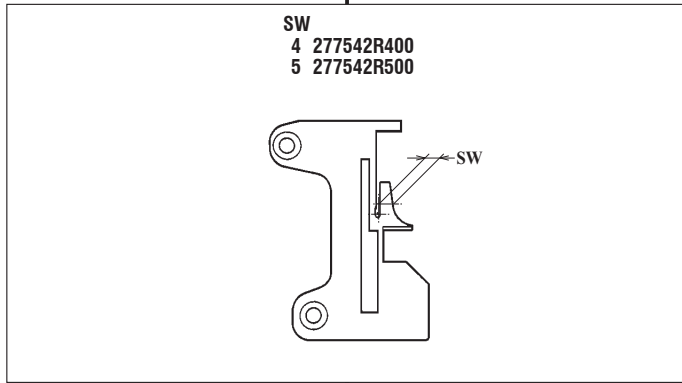


裾引用 (薄~中厚生地)
BLINDSTITCH HEMMING
(LIGHT~MEDIUM WEIGHT FABRIC)

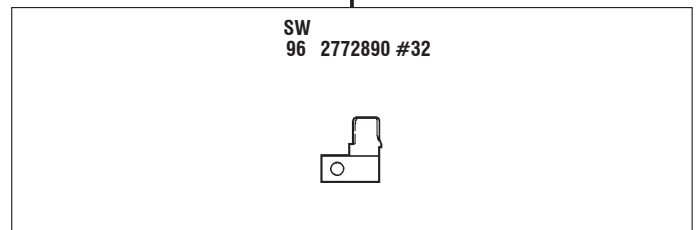
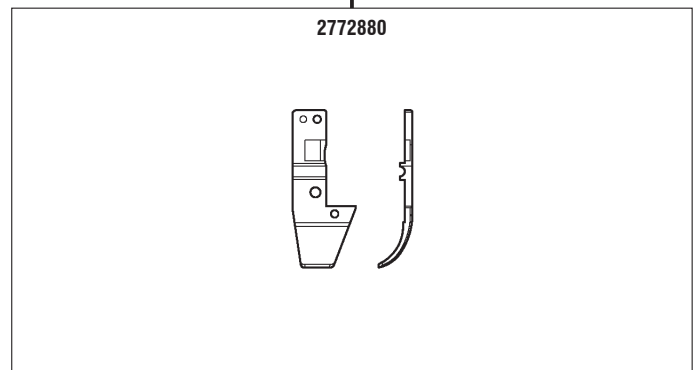
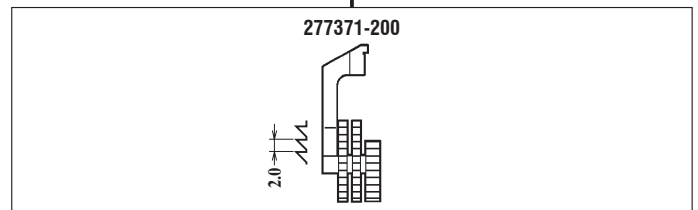
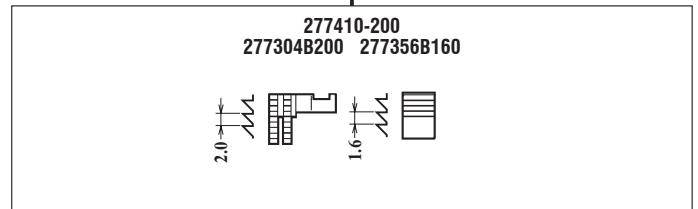
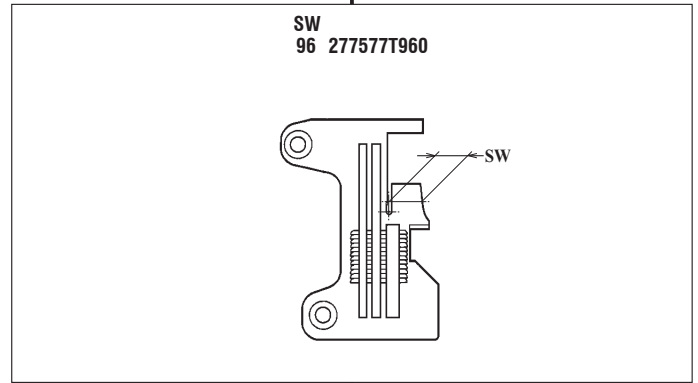
サージング用 (薄~中厚生地)
SERGING
(LIGHT~MEDIUM WEIGHT FABRIC)

サージング用 (厚~極厚生地)
SERGING
(HEAVY~EXTRA HEAVY WEIGHT FABRIC)

EX5204-22Z2/213(K)



EX5204-23Z3/684(K)



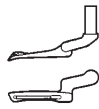
EX5204-22Z2/213(K)

EX5204-23Z3/684(K)

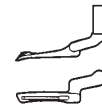
179630-920



2770100 #2



27701080 #6



2770150



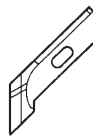
-22Z2/213
-23Z3/684

-22Z2/213K
-23Z3/684K

201121A0



2107550



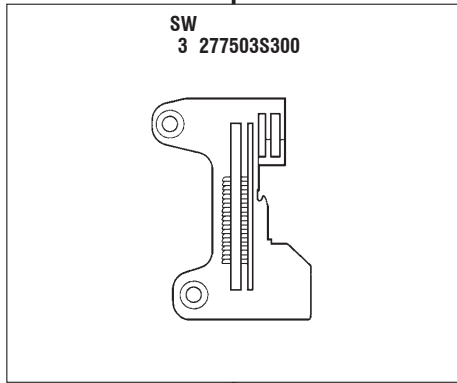
2022950



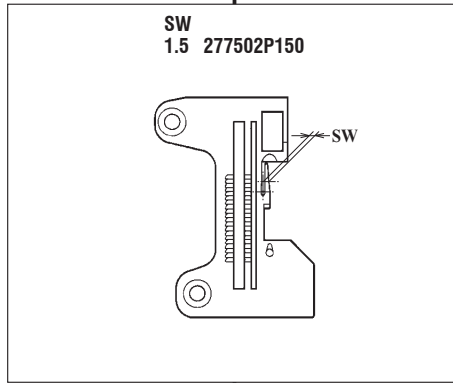
サージング用 (薄~中厚生地)
SERGING
(LIGHT~MEDIUM WEIGHT FABRIC)

サージング用 (中厚~厚生地)
SERGING
(MEDIUM~HEAVY WEIGHT FABRIC)

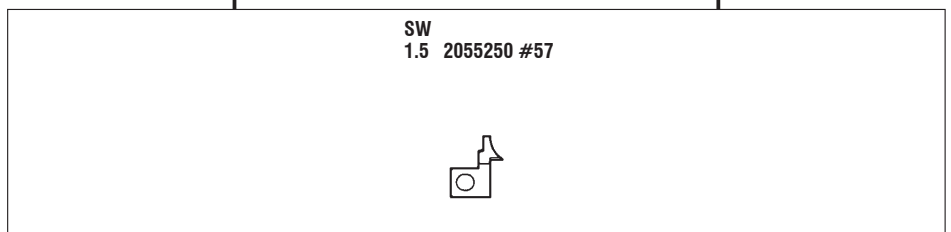
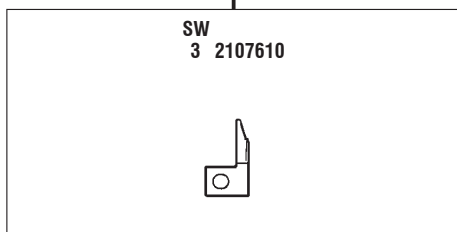
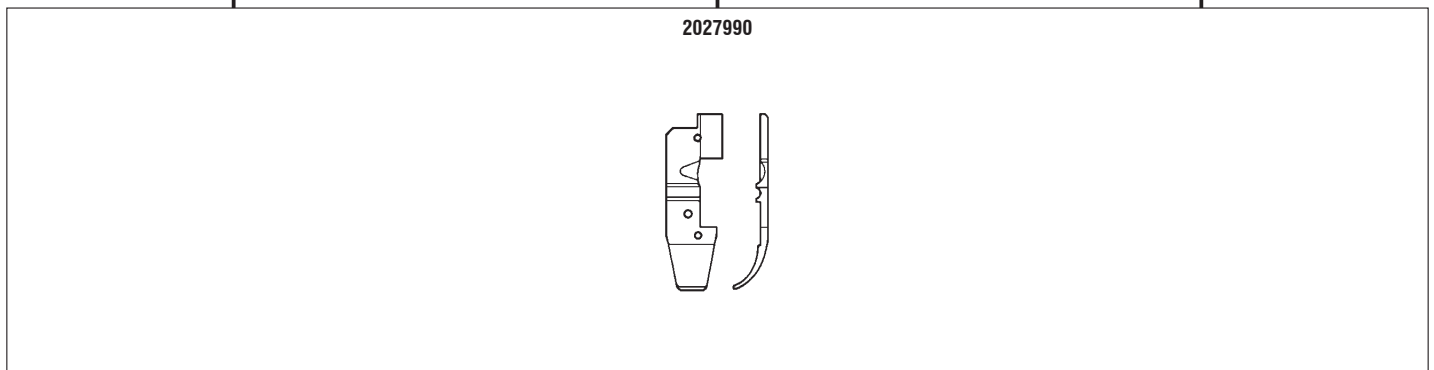
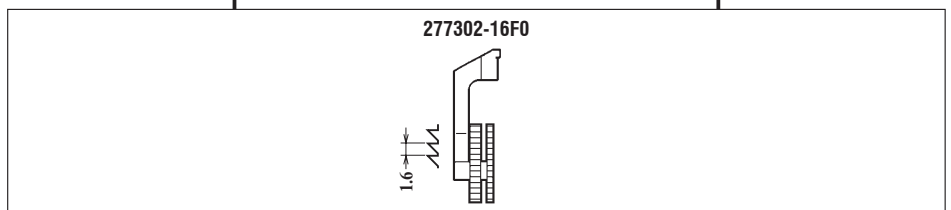
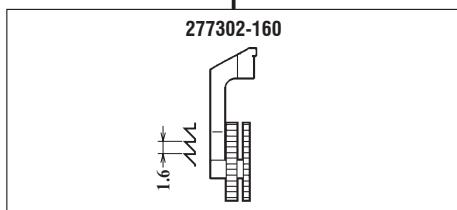
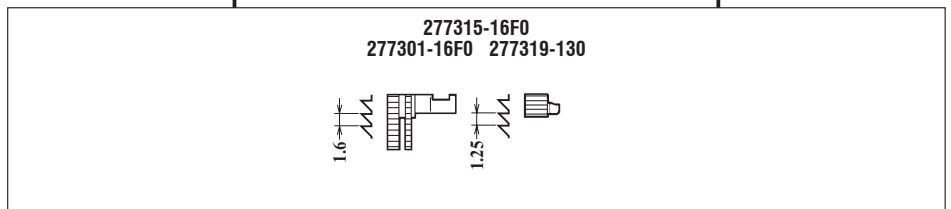
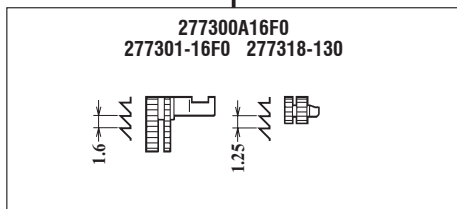
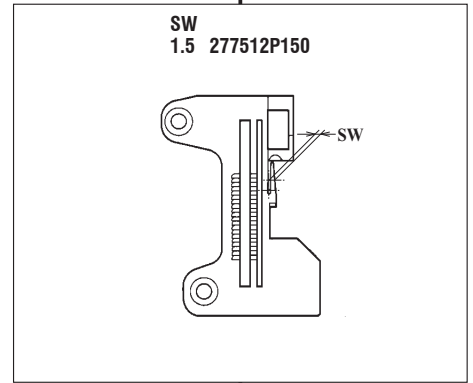
EX5204-32R1/223(K)



EX5204-32R2/223L(K)



EX5204-32R2/223(K)



EX5204-32R1/223(K)

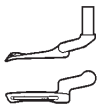
EX5204-32R2/223L(K)

EX5204-32R2/223(K)

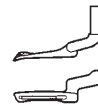
179630-920



277010A0 #5



2770100 #2



2770150



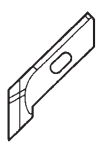
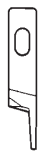
-32R1/223

-32R1/223K

201121A0

2107550

2107620

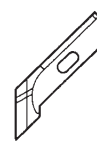


-32R2/223L
-32R2/223

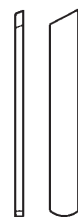
-32R2/223LK
-32R2/223K

201121A0

2107550



2022950



下巻縫用 (薄~中厚生地)
TURN DOWN HEMMING
(LIGHT~MEDIUM WEIGHT FABRIC)

下巻縫用 (薄~中厚生地)
TURN DOWN HEMMING
(LIGHT~MEDIUM WEIGHT FABRIC)

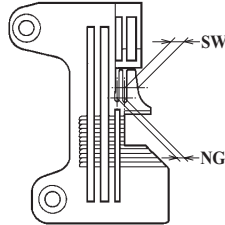
下巻縫用 (薄~中厚生地)
TURN DOWN HEMMING
(LIGHT~MEDIUM WEIGHT FABRIC)

EX5214-43/333(K)

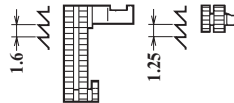
EX5214-43P1/333(K)

EX5214-43P2/333(K)

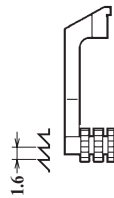
NG×SW
2×3 277505R300
2×4 277505R400



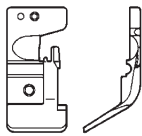
277306-160
277307-160 277318-130



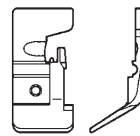
277308-160



SW
3 2771240
4 2771240



SW
3 2771250
4 2771250

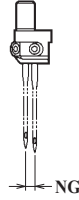


EX5214-43/333(K)

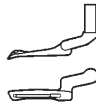
EX5214-43P1/333(K)

EX5214-43P2/333(K)

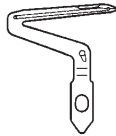
NG
2 277022-920



277010A0 #5



2770150

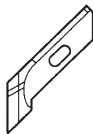


-43/333 -43/333K
-43P1,43P2/333 -43P1,43P2/333K

201121A0



2107550



2022950



ヒダ取り用 (中厚~厚生地)
SHIRRING
(MEDIUM~HEAVY WEIGHT FABRIC)

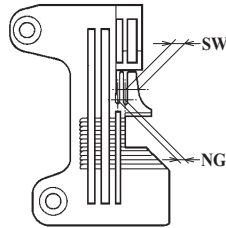
ヒダ取り・パイピング用 (中厚~厚生地)
SHIRRING, PIPING
(MEDIUM~HEAVY WEIGHT FABRIC)

ヒダ取り・パイピング用 (中厚~厚生地)
SHIRRING, PIPING
(MEDIUM~HEAVY WEIGHT FABRIC)

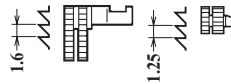
EX5214-53C3/333(K)

EX5214-M53/333(K)

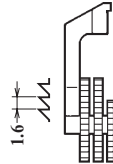
NG×SW
 2×3 277505R300
 2×4 277505R400
 2×5 277505R500



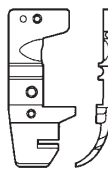
277303-16F0
 277304-16F0 277318-130



277305-16F0



2771120



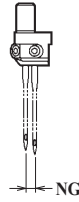
SW
 3 2771590 #22
 4 2086510 #58
 5 2086510 #58



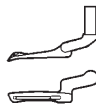
EX5214-53C3/333(K)

EX5214-M53/333(K)

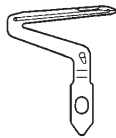
NG
2 277022-920



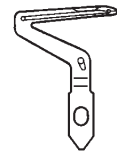
277010A0 #5



2770150



2770340



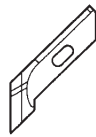
-53C3/333
-M53/333

-53C3/333K
-M53/333K

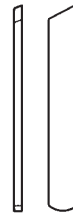
201121A0



2107550



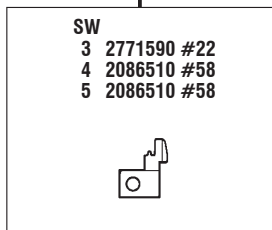
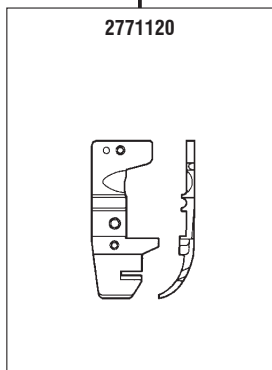
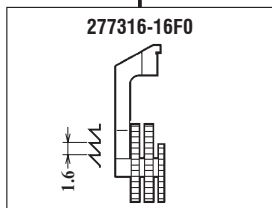
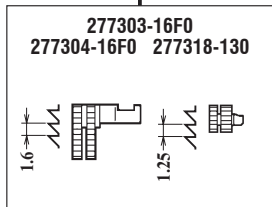
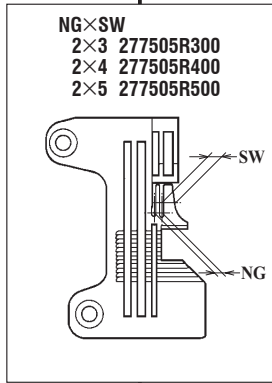
2022950



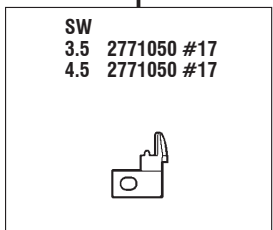
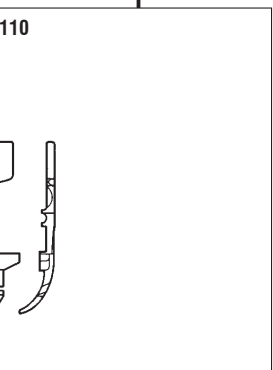
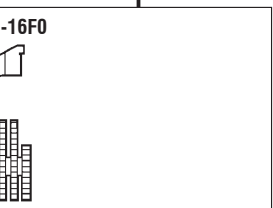
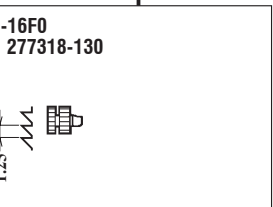
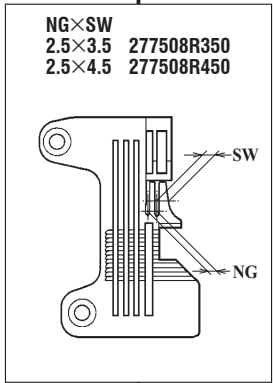
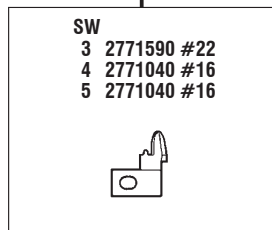
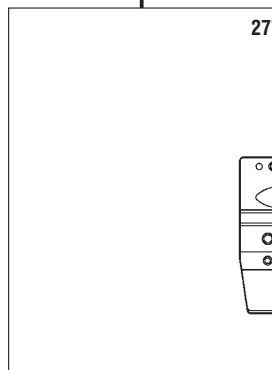
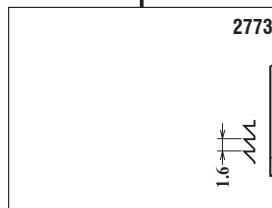
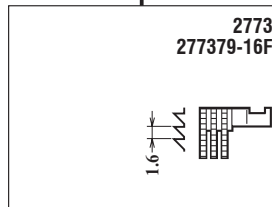
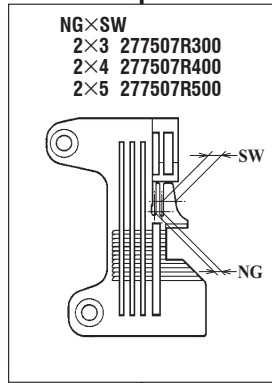
テープ付用 (中厚~厚生地)
ATTACHING TAPE
(MEDIUM~HEAVY WEIGHT FABRIC)

テープ付用 (中厚~厚生地)
ATTACHING TAPE
(MEDIUM~HEAVY WEIGHT FABRIC)

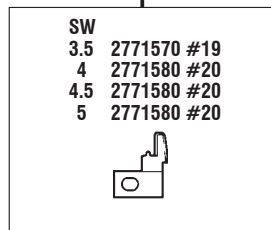
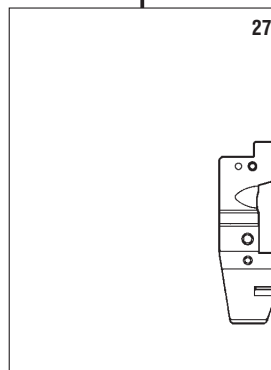
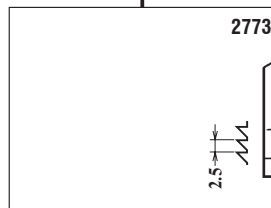
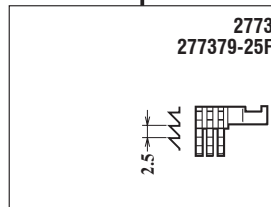
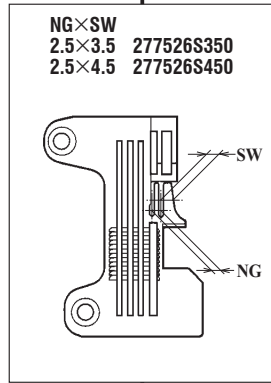
EX5214-54/433(K)



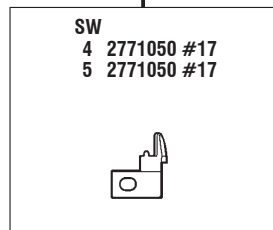
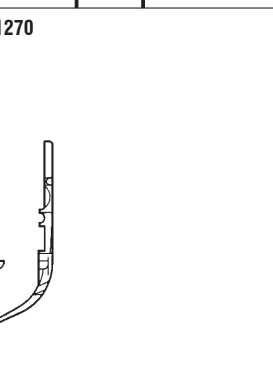
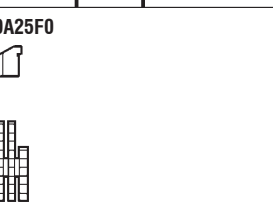
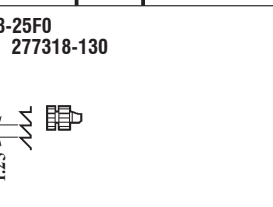
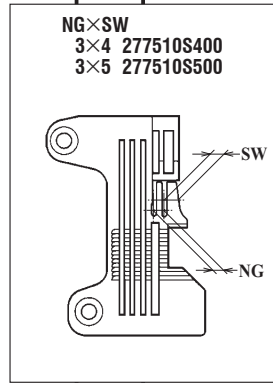
EX5214-54/443(K)



EX5214H-55/545(K)



EX5214-54/445(K)

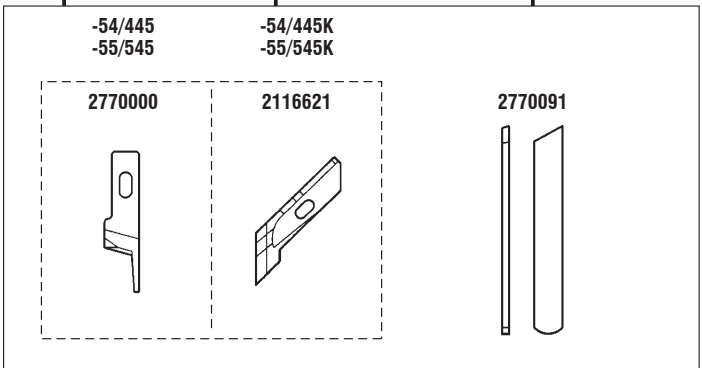
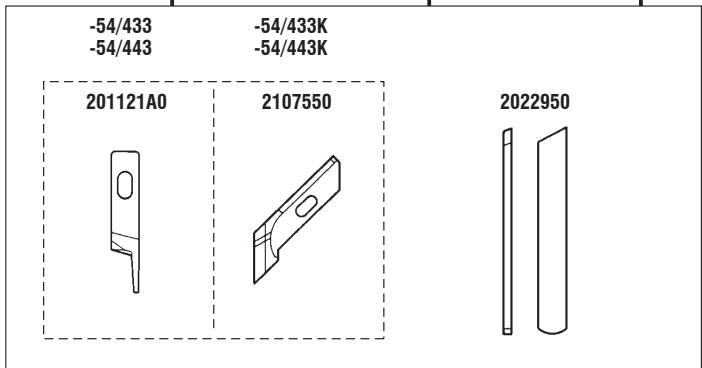
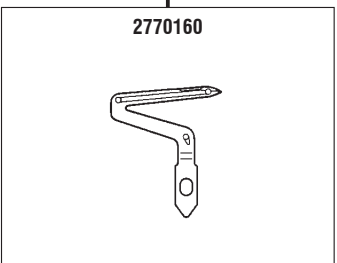
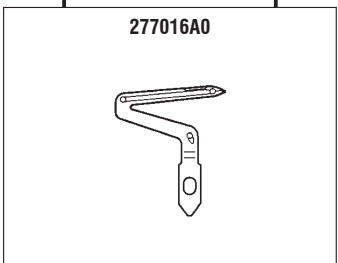
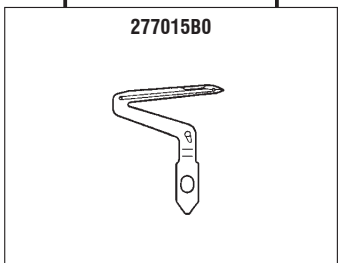
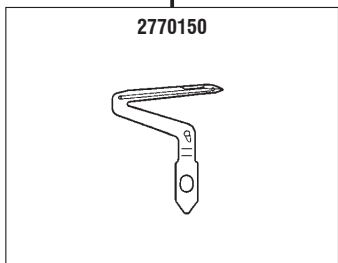
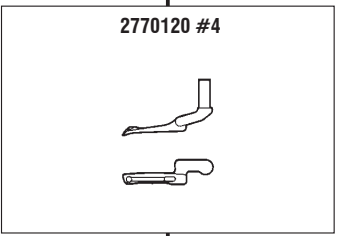
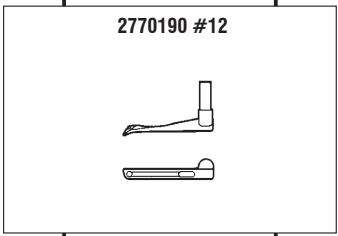
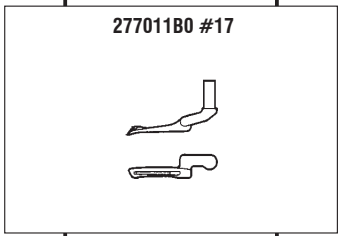
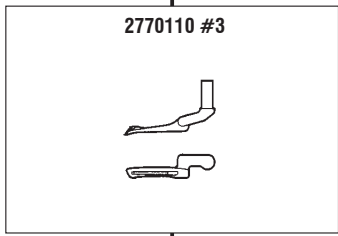
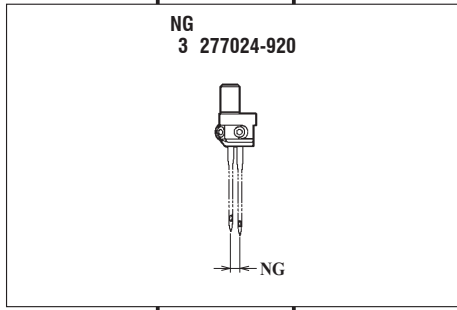
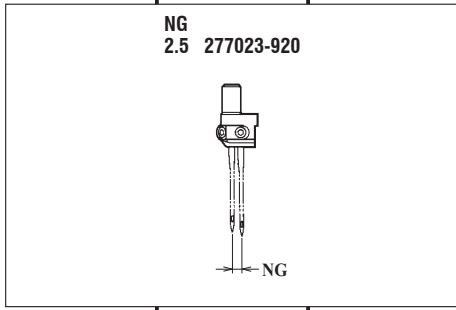
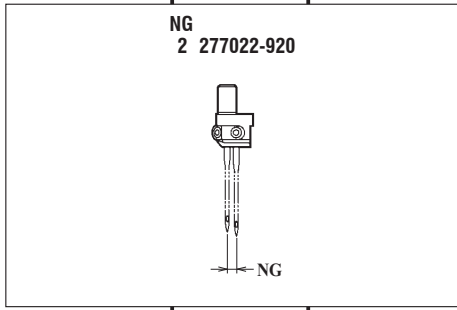


EX5214-54/433(K)

EX5214-54/443(K)

EX5214H-55/545(K)

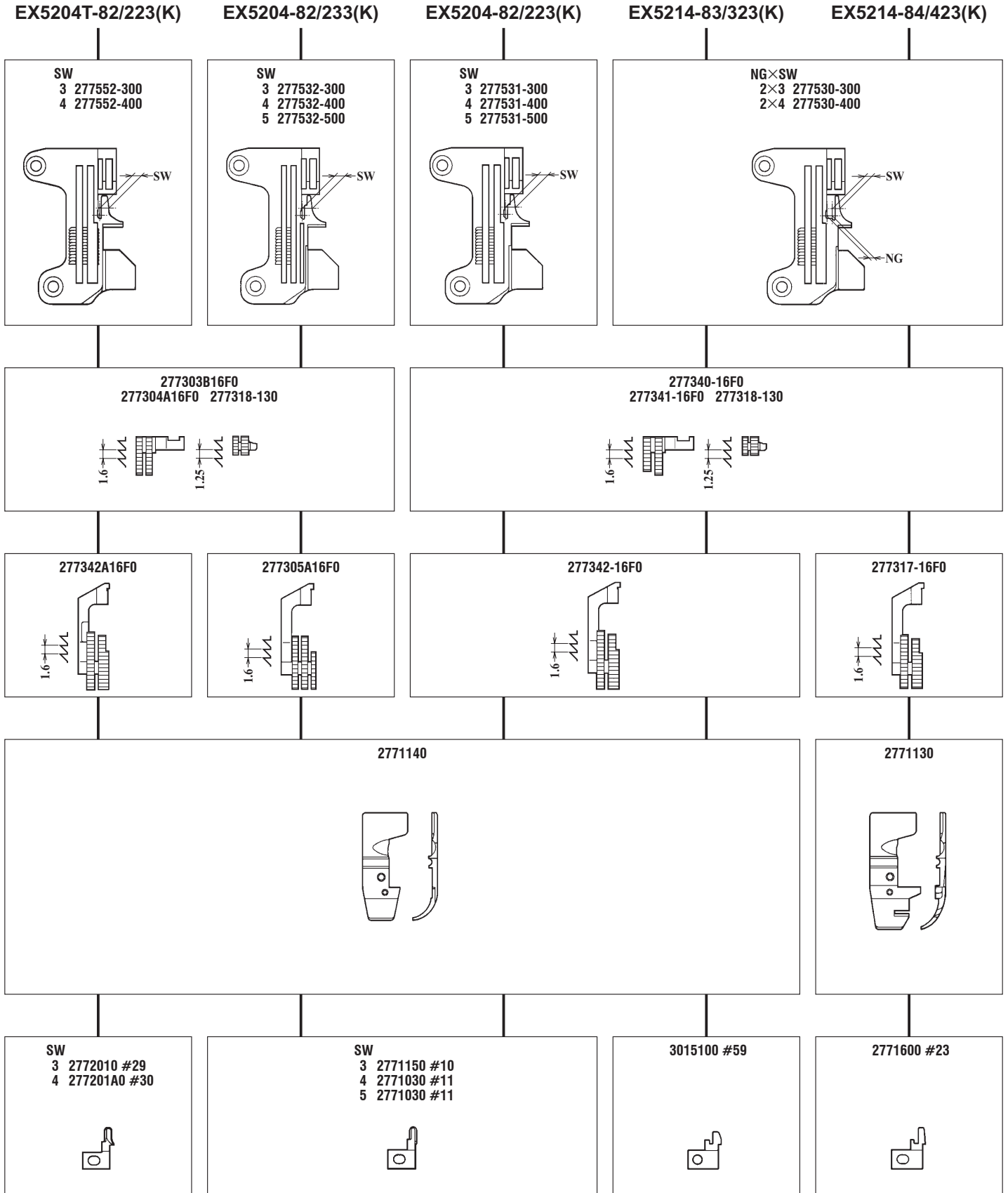
EX5214-54/445(K)



テープ付用 (厚~極厚生地)
ATTACHING TAPE
(HEAVY~EXTRA HEAVY WEIGHT FABRIC)

テープ付用 (極厚生地)
ATTACHING TAPE
(EXTRA HEAVY WEIGHT FABRIC)

テープ付用 (厚~極厚生地)
ATTACHING TAPE
(HEAVY~EXTRA HEAVY WEIGHT FABRIC)



EX5204T-82/223(K)

EX5204-82/233(K)

EX5204-82/223(K)

EX5214-83/323(K)

EX5214-84/423(K)

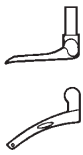
179630-920



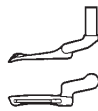
NG
2 277022-920



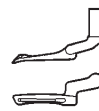
2770360 #13



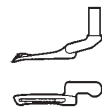
2770100 #2



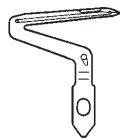
277010A0 #5



277011B0 #17



2770150



277015B0



T-82/223
-82/233

T-82/223K
-82/233K

201121A0

2107550

SW

3

2011270

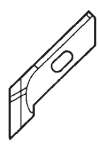
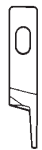
SW

4

2022950

5

2022950

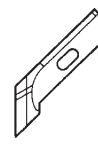


-82/223
-83/323
-84/423

-82/223K
-83/323K
-84/423K

201121A0

2107550



2022950

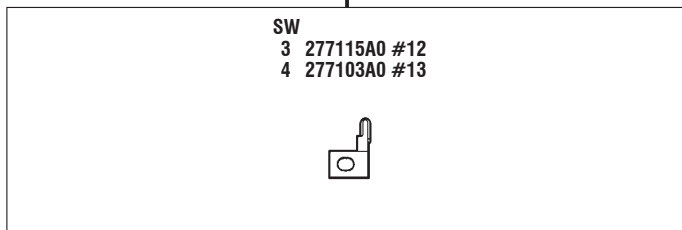
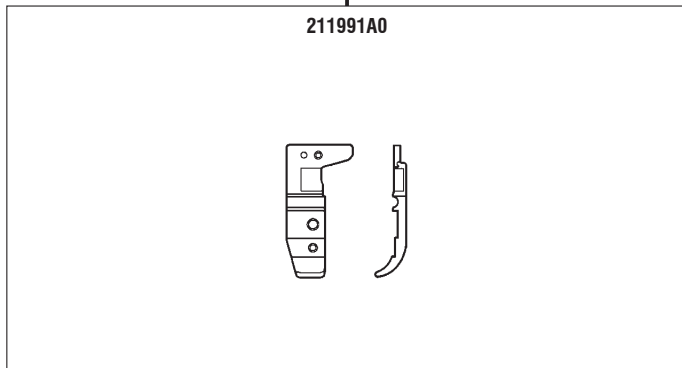
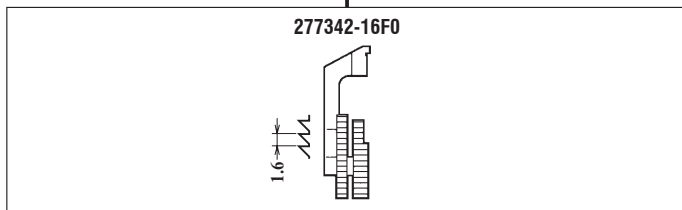
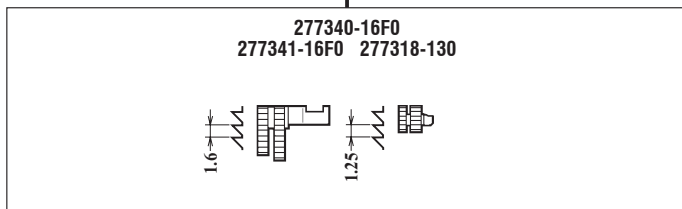
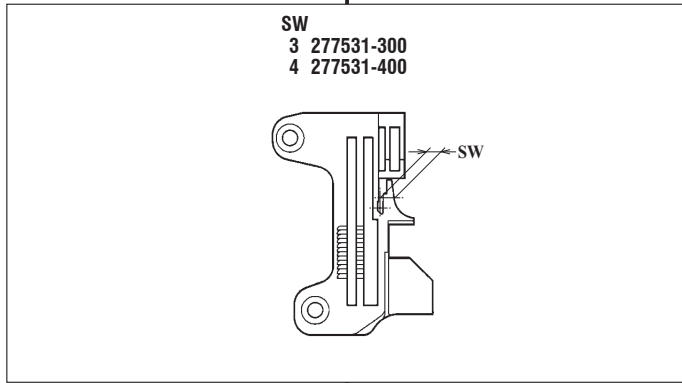


バックタック用 (薄~中厚生地)
BACKLATCHING
(LIGHT ~MEDIUM WEIGHT FABRIC)

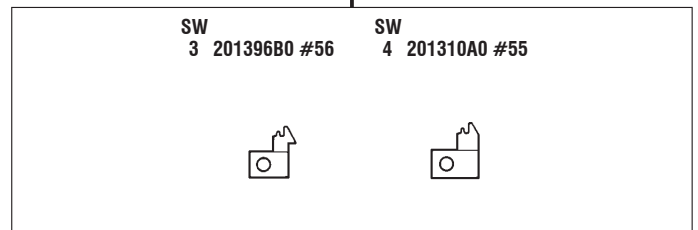
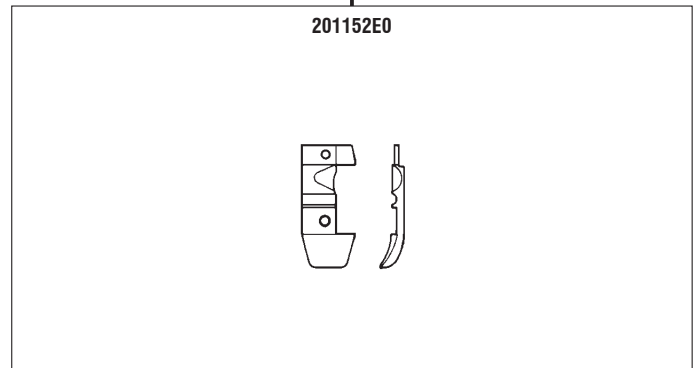
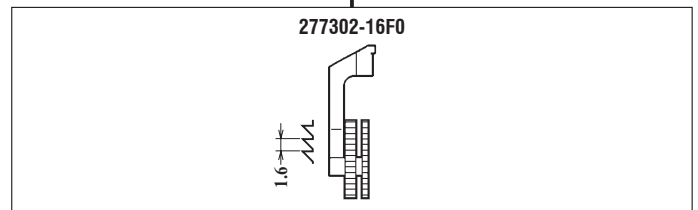
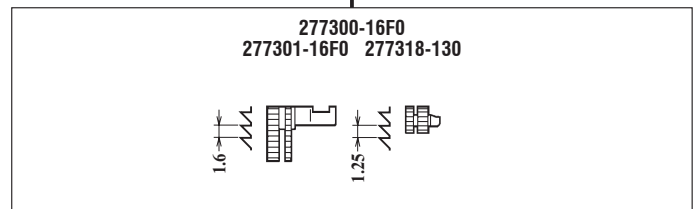
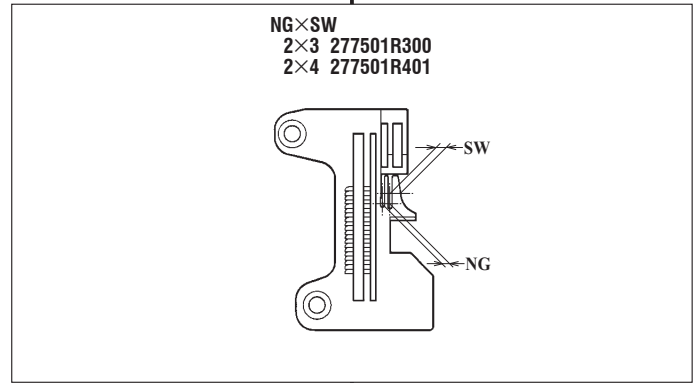
バックタック用 (中厚~厚生地)
BACKLATCHING
(MEDIUM~HEAVY WEIGHT FABRIC)

バックタック用 (厚~極厚生地)
BACKLATCHING
(HEAVY~EXTRA HEAVY WEIGHT FABRIC)

EX5204-92M1/223(K)



EX5214-92M2/223(K)



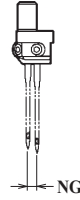
EX5204-92M1/223(K)

EX5214-92M2/223(K)

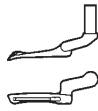
179630-920



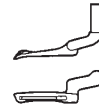
NG
2 277022-920



2770100 #2



27701080 #6



2770150



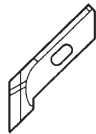
-92M1/223
-92M2/223

-92M1/223K
-92M2/223K

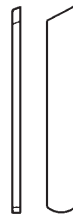
201121A0



2107550



2022950



多用途用 (薄~中厚生地)
MALTI-USE
(LIGHT~MEDIUM WEIGHT FABRIC)

多用途用 (薄~中厚生地)
MALTI-USE
(LIGHT~MEDIUM WEIGHT FABRIC)